

Predator[™]

Mobile Heated Adhesive Spray Rig

Parts Identification Manual

46942-C-ID

June 15, 2005

GRACO | GUSMER
PROVEN QUALITY. LEADING TECHNOLOGY.

One Gusmer Drive
Lakewood, New Jersey, USA 08701-8055
Toll Free 1-800-367-4767 (USA & Canada)
Phone: (732) 370-9000
Fax: (732) 905-8968

<http://www.graco-gusmer.com>



NOTICE: This manual contains important information about your Graco-Gusmer equipment. Read and retain for future reference.

***NOTICE:** The equipment described in this technical manual must only be operated or serviced by properly trained individuals, thoroughly familiar with the operating instructions and limitations of the equipment. For technical service, call your local distributor. Call: 1-800-FOR-GSMR (1-800-367-4767) for the name and telephone number of your local distributor.*

***NOTICE:** All statements, information, and data given herein are believed to be accurate and reliable but are presented without guarantee, warranty, or responsibility of any kind expressed or implied. Statements or suggestions concerning possible use of GUSMER equipment are made without representation or warranty that any such use is free of patent infringement, and are not recommendations to infringe any patent. The user should not assume that all safety measures are indicated or that other measures may not be required for a particular circumstance or application.*

CONTENTS

LIST OF FIGURES.....4

LIST OF TABLES.....4

WARRANTY5

PREDATOR ASSEMBLIES6

 FINAL ASSEMBLY6

 ELECTRICAL CONSOLE8

 AIR MOTOR10

 REVERSING SWITCH12

 AIR CONTROL SYSTEM.....14

 PRIMARY HEATER16

 PROPORTIONING PUMPS18

 LUBE RESERVOIR HOSE ASSEMBLY20

 HOSE HEAT POWER PACK22

ELECTRICAL SCHEMATIC24

NOTES.....26

INSTRUCTION MANUAL DISCREPANCY REPORT.....27

LIST OF FIGURES

FIGURE 1. FINAL ASSEMBLY (PART NO. 46000-6), EXPLODED VIEW	6
FIGURE 2. ELECTRICAL CONSOLE (PART NO. 46650), EXPLODED VIEW	8
FIGURE 3. AIR MOTOR ASSEMBLY (PART NO. 46755), EXPLODED VIEW	10
FIGURE 4. REVERSING SWITCH ASSEMBLY, EXPLODED VIEW	12
FIGURE 5. AIR CONTROL SYSTEM ASSEMBLY (PART NO. 46746), EXPLODED VIEW	14
FIGURE 6. PRIMARY HEATER ASSEMBLY (PART NO. 46300), EXPLODED VIEW	16
FIGURE 7. PROPORTIONING PUMP ASSEMBLY (46400/46450A-60), EXPLODED VIEW	18
FIGURE 8. LUBE RESERVOIR HOSE ASSEMBLY (PART NO. 17585), EXPLODED VIEW	20
FIGURE 9. HOSE HEAT POWER PACK (PART NO. 46287), EXPLODED VIEW	22
FIGURE 10. ELECTRICAL SCHEMATIC (SD46000-6), SCHEMATIC DIAGRAM.....	24

LIST OF TABLES

TABLE 1. FINAL ASSEMBLY (PART NO. 46000-6), PARTS	7
TABLE 2. ELECTRICAL CONSOLE (PART NO. 46650), PARTS	9
TABLE 3. AIR MOTOR ASSEMBLY (PART NO. 46755), PARTS	11
TABLE 4. REVERSING SWITCH ASSEMBLY, PARTS	13
TABLE 5. AIR CONTROL SYSTEM ASSEMBLY (PART NO. 46746), PARTS	15
TABLE 6. PRIMARY HEATER ASSEMBLY (PART NO. 46300), PARTS	17
TABLE 7. PROPORTIONING PUMP ASSEMBLY (46400-60/46450A-60), PARTS	19
TABLE 8. LUBE RESERVOIR HOSE ASSEMBLY (PART NO. 17585), PARTS LIST.....	21
TABLE 9. HOSE HEAT POWER PACK (PART NO. 46287), PARTS.....	23
TABLE 10. ELECTRICAL SCHEMATIC (SD46000-6), PARTS.....	25

WARRANTY

Gusmer Corporation (Gusmer) provides a limited warranty to the original purchaser (Customer) of Gusmer manufactured parts and equipment (Product) against any defects in material or workmanship for a period of one year from the date of shipment from Gusmer facilities.

In the event Product is suspected to be defective in material or workmanship, it must be returned to Gusmer, freight prepaid. If Product is found to be defective in material or workmanship, as determined solely by Gusmer, Gusmer will issue full credit to Customer for the freight charges incurred in returning the defective Product, and either credit will be issued for the replacement cost of the Product or a replacement part will be forwarded no-charge, freight prepaid to Customer.

This warranty shall not apply to Product Gusmer finds to be defective resulting from: installation, use, maintenance, or procedures not accomplished in accordance with our instructions; normal wear; accident; negligence; alterations not authorized in writing by Gusmer; use of "look alike" parts not manufactured or supplied by Gusmer; or Product used in conjunction with any other manufacturer's pumping or proportioning equipment. For such Product, a written estimate will be submitted to the Customer at a nominal service charge, itemizing the cost for repair. Disposition of Product will be done in accordance with the terms stated on the written estimate.

The warranty provisions applied to product that are not manufactured by Gusmer will be solely in accordance with the warranty provided by the original manufacturer of the product.

GUSMER MAKES NO WARRANTY WHATSOEVER AS TO THE MERCHANTABILITY OF, OR SUITABILITY FOR, ITS PRODUCT TO PERFORM ANY PARTICULAR PURPOSE. CREDIT FOR, OR REPLACEMENT OF, PRODUCT DEFECTIVE IN MATERIAL OR WORKMANSHIP SHALL CONSTITUTE COMPLETE FULFILLMENT OF GUSMER OBLIGATIONS TO CUSTOMER. NO OTHER WARRANTY, EXPRESS OR IMPLIED ON ANY PRODUCT IT MANUFACTURES AND/OR SELLS, WILL BE RECOGNIZED BY GUSMER UNLESS SAID WARRANTY IS IN WRITING AND APPROVED BY AN OFFICER OF GUSMER.

Under no circumstances shall Gusmer be liable for loss of prospective or speculative profits, or special indirect, incidental or consequential damages. Further, Gusmer shall have no liability for any expenses including, but not limited to personal injury or property damage resulting from failure of performance of the product, use of the product, or application of the material dispensed through the product. Any information provided by Gusmer that is based on data received from a third source, or that pertains to product not manufactured by Gusmer, while believed to be accurate and reliable, is presented without guarantee, warranty, or responsibility of any kind, express or implied.

Gusmer through the sale, lease, or rental of Product in no way expresses or implies a license for the use of, nor encourages the infringement of any patents or licenses.

To ensure proper validation of your warranty, please complete the warranty card and return it to Gusmer within two weeks of receipt of equipment.

Revised 09/02

PREDATOR ASSEMBLIES

FINAL ASSEMBLY

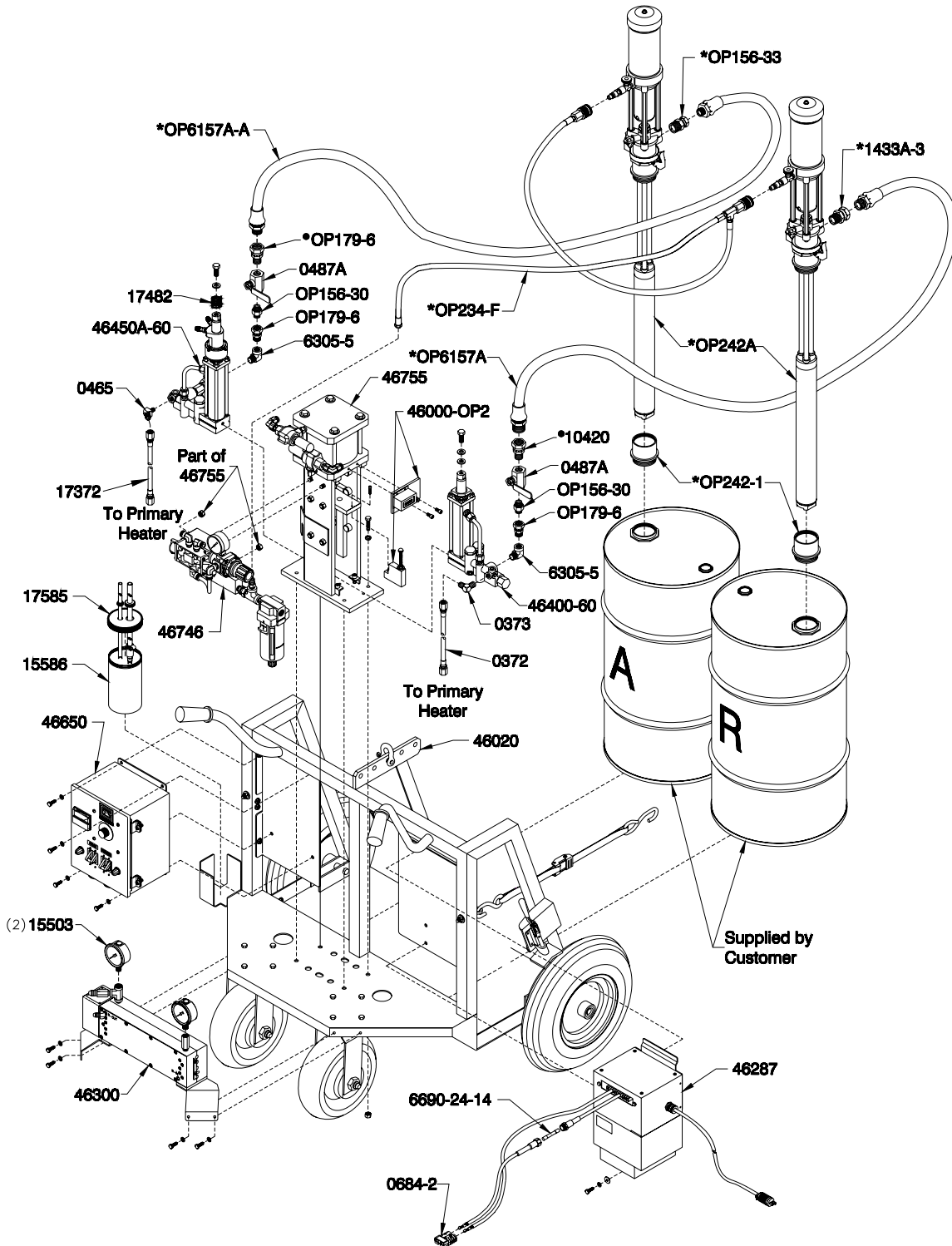


Figure 1. Final Assembly (Part No. 46000-6), Exploded View

TABLE 1. FINAL ASSEMBLY (PART NO. 46000-6), PARTS

Part Number	Description	Quantity
0372	Interconnect Hose	1
0373	JIC Elbow	1
0465	JIC Elbow	1
0487A	Ball Valve	2
0684-2	Power-Lock Connector	1
*1433A-3	Swivel Union	1
6305-5	Elbow	2
6690-24-14	50 Amp Fuse	1
•10420	Swivel Union	1
15503	0-3000 Gauge	2
15586	Lube Bottle	1
17585	Lube Reservoir Hose Assembly (<i>see page 20</i>)	1
17372	Iso Pump-Heater Hose	1
17482	Spring	1
46020	Mobile Cart Assembly	1
46287	70V Power Pack Assembly (<i>see page 22</i>)	1
46300	Primary Heater Assembly (<i>see page 16</i>)	1
46400-60	R- (Resin) Proportioning Pump Assembly (<i>see page 18</i>)	1
46450A-60	A- (Iso) Proportioning Pump Assembly (<i>see page 18</i>)	1
46650	Electrical Console (<i>see page 8</i>)	1
46746	Air Control System (<i>see page 14</i>)	1
46755	Air Motor Assembly (<i>see page 10</i>)	1
46000-OP2	Counter Assembly	1
OP156-30	Hex Nipple	2
*OP156-33	Swivel Union	1
•OP179-6	Swivel Union (<i>Qty. of 1 part of AP46000-6</i>)	3
*OP234-F	Transfer Pump Air Hose Assembly	1
*OP242A	Transfer Pump	2
*OP242-1	Bung Adapter-Riser	2
*OP6157A	R- (Resin) Supply Hose	1
*OP6157A-A	A- (Iso) Supply Hose	1

* Part of Material Supply Package (Part No. MP-M)

• Part of Accessory Package (Part No. AP46000-6)

ELECTRICAL CONSOLE

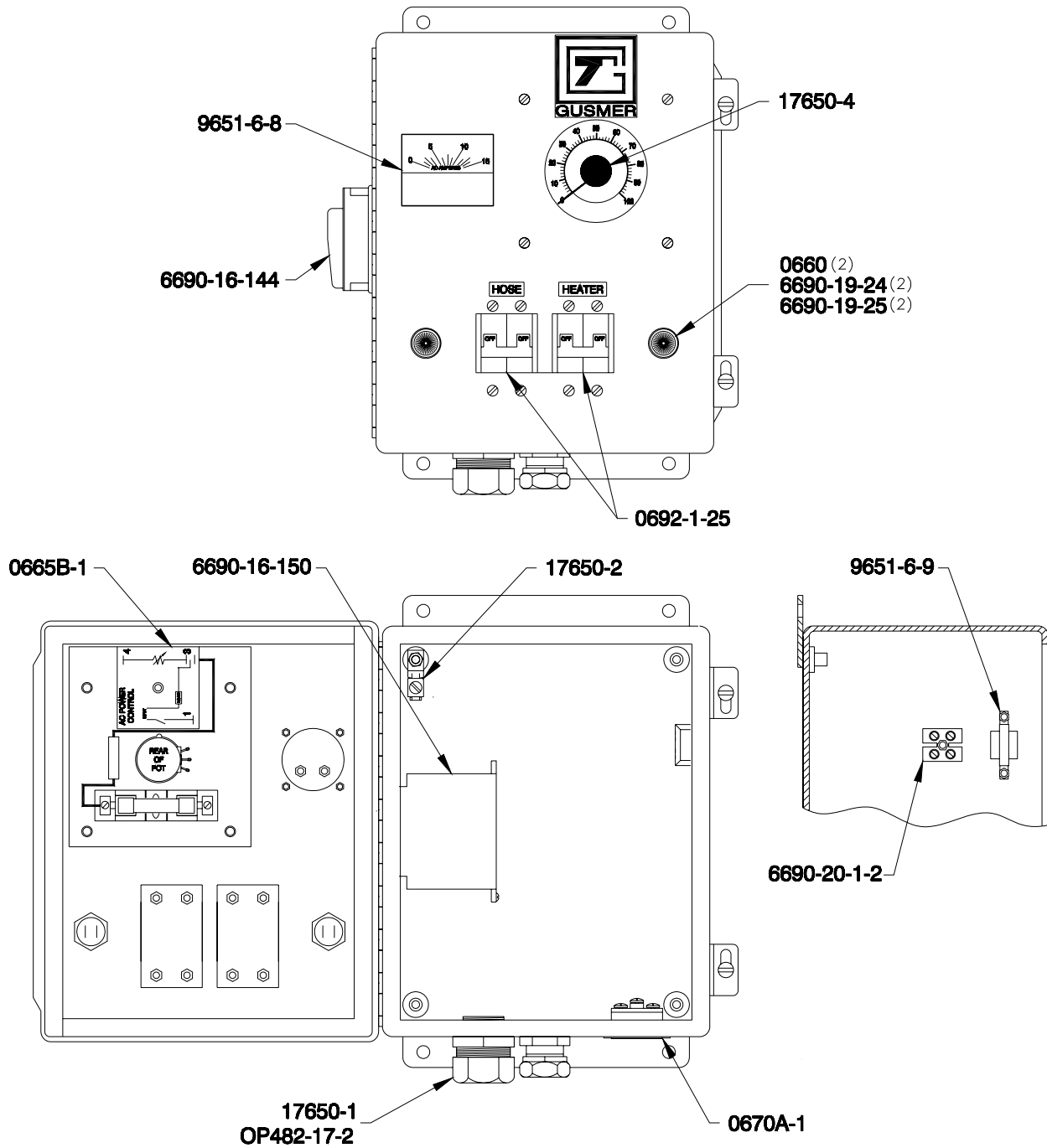


Figure 2. Electrical Console (Part No. 46650), Exploded View

TABLE 2. ELECTRICAL CONSOLE (PART NO. 46650), PARTS

Part Number	Description	Quantity
0660	Amber Lens	2
0665B-1	Phase Control Assembly (<i>See Electrical Schematic for components</i>)	1
0670A-1	Socket	1
0692-1-25	Circuit Breaker	2
6690-16-144	Operator Handle	1
6690-16-150	40A Disconnect	1
6690-19-24	Bulb	2
6690-19-25	Light Base	2
6690-20-1-2	Terminal block	1
9651-6-8	Ammeter	1
9651-6-9	Transformer	1
17650-1	Strain Relief	1
17650-2	Terminal Lug	1
17650-4	Knob	1
OP482-17-2	Locknut	1

AIR MOTOR

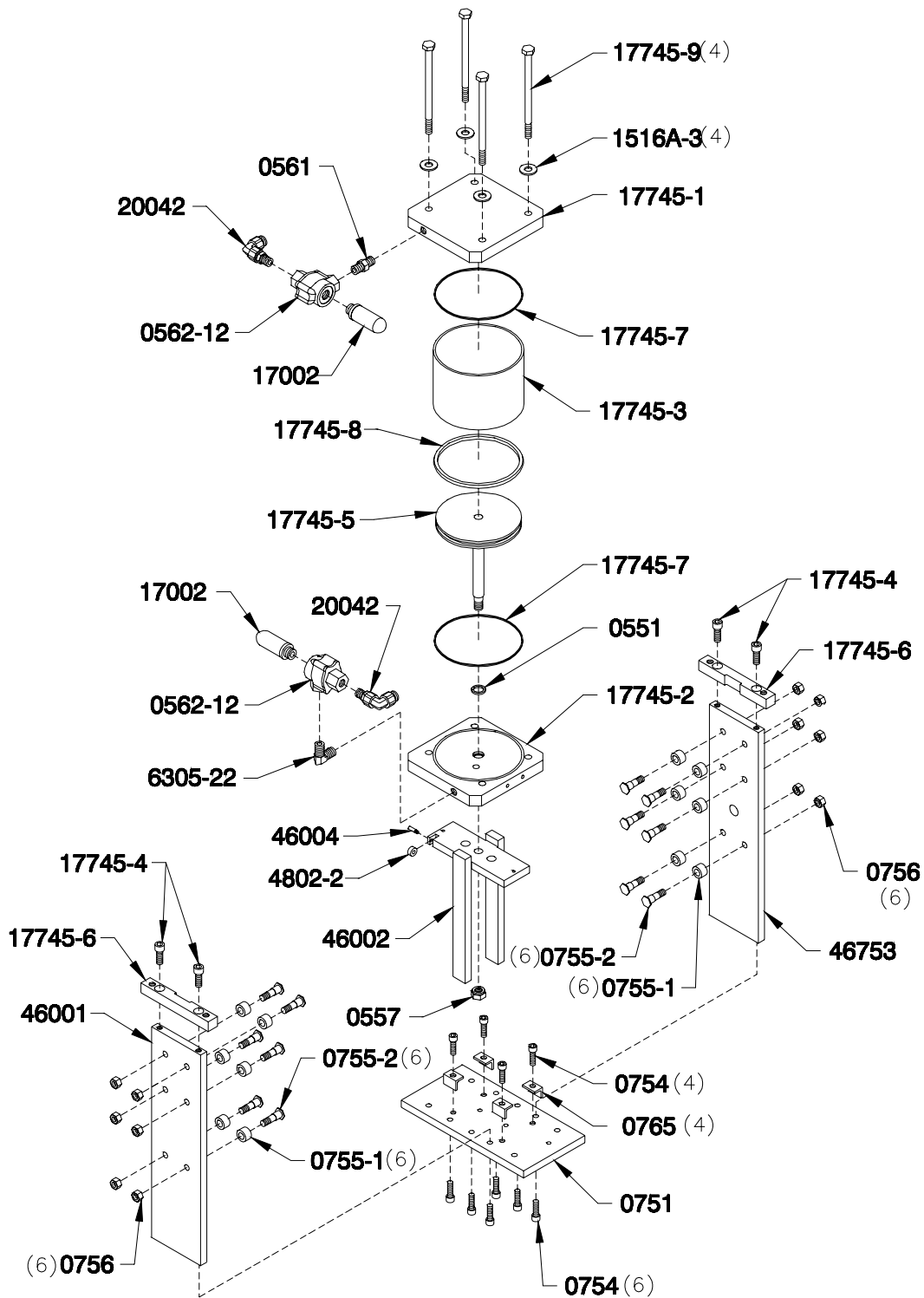


Figure 3. Air Motor Assembly (Part No. 46755), Exploded View

TABLE 3. AIR MOTOR ASSEMBLY (PART NO. 46755), PARTS

Part Number	Description	Quantity
0551	O-Ring	1
0557	Piston Rod Nut	1
0561	Hex Nipple	1
0562-12	Quick Exhaust Valve	2
0751	Proportioning Unit Base	1
0754	Socket Head Cap Screw	10
0755-1	Bearing	12
0755-2	Cam Roller Stud	12
0756	Guide Roller Bearing Nut	12
0765	Pump Mounting Bracket	4
*4802-2	Operating Roller	1
6305-22	Elbow	1
1516A-3	Washer	4
17002	Muffler	2
17745-1	Air Cylinder Top Plate	1
17745-2	Air Cylinder Bottom Plate	1
17745-3	Air Cylinder	1
17745-4	Socket Head Cap Screw	4
17745-5	Air Piston with Rod	1
17745-6	Air Cylinder Adapter	2
17745-7	O-Ring	2
17745-8	O-Ring	1
17745-9	Hex Head Cap Screw	4
20042	Tube Fitting	2
46001	Side Plate	1
46002	Pump Yoke	1
46004	Operating Stud	1
46753	Air Cylinder Upright	1

* See Reversing Switch parts on page 12.

Air Cylinder Rebuild Kit (Part # 17745-3-1)- Includes B, Z, AA, & Air Cylinder Lubricant (Part #0553-2).

Exhaust Valve Repair Kit (Part # 0562-12-1-H).

REVERSING SWITCH

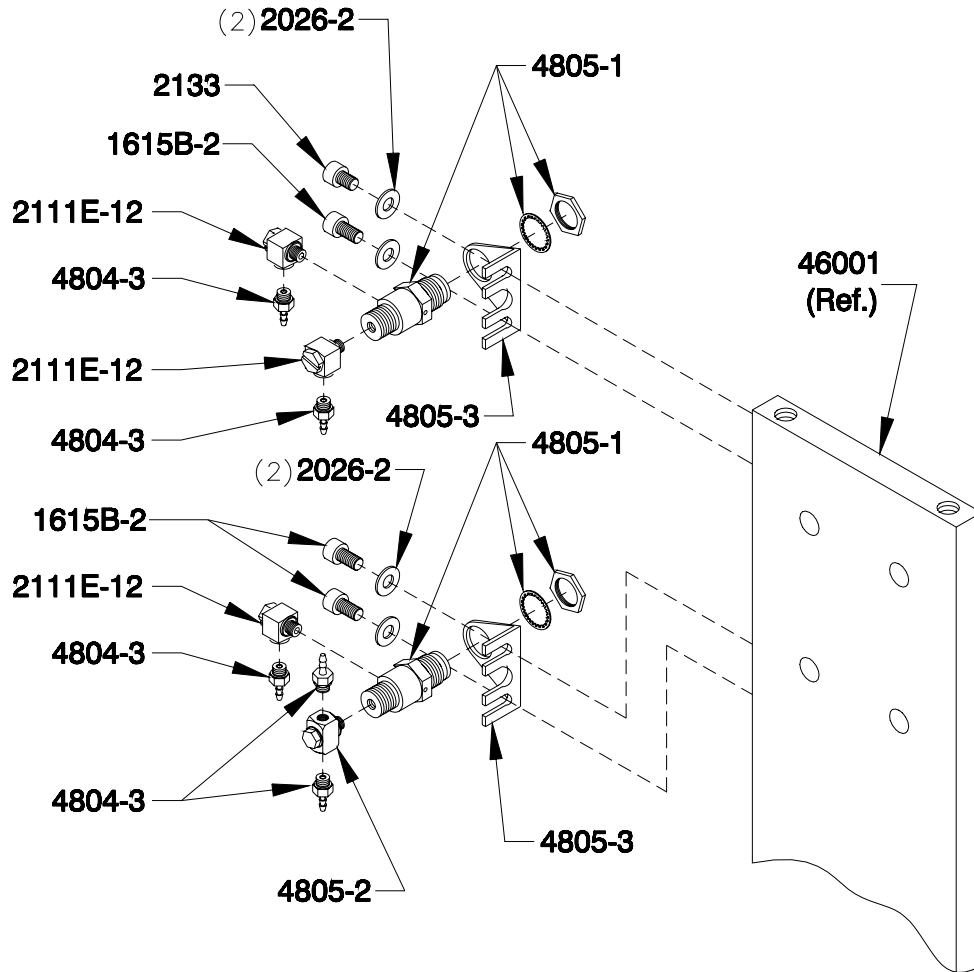


Figure 4. Reversing Switch Assembly, Exploded View

TABLE 4. REVERSING SWITCH ASSEMBLY, PARTS

Part Number	Description	Quantity
1615B-2	Socket Head Cap Screw	3
2026-2	Flat Washer	4
2111E-12	Air Tube Connector Assembly (<i>Includes 4804-3</i>)	3
2133	Socket Head Cap Screw	1
4804-3	Pilot Fitting	5
4805-1	Pilot Valve	2
4805-2	Universal Tee	1
4805-3	Bracket	2

AIR CONTROL SYSTEM

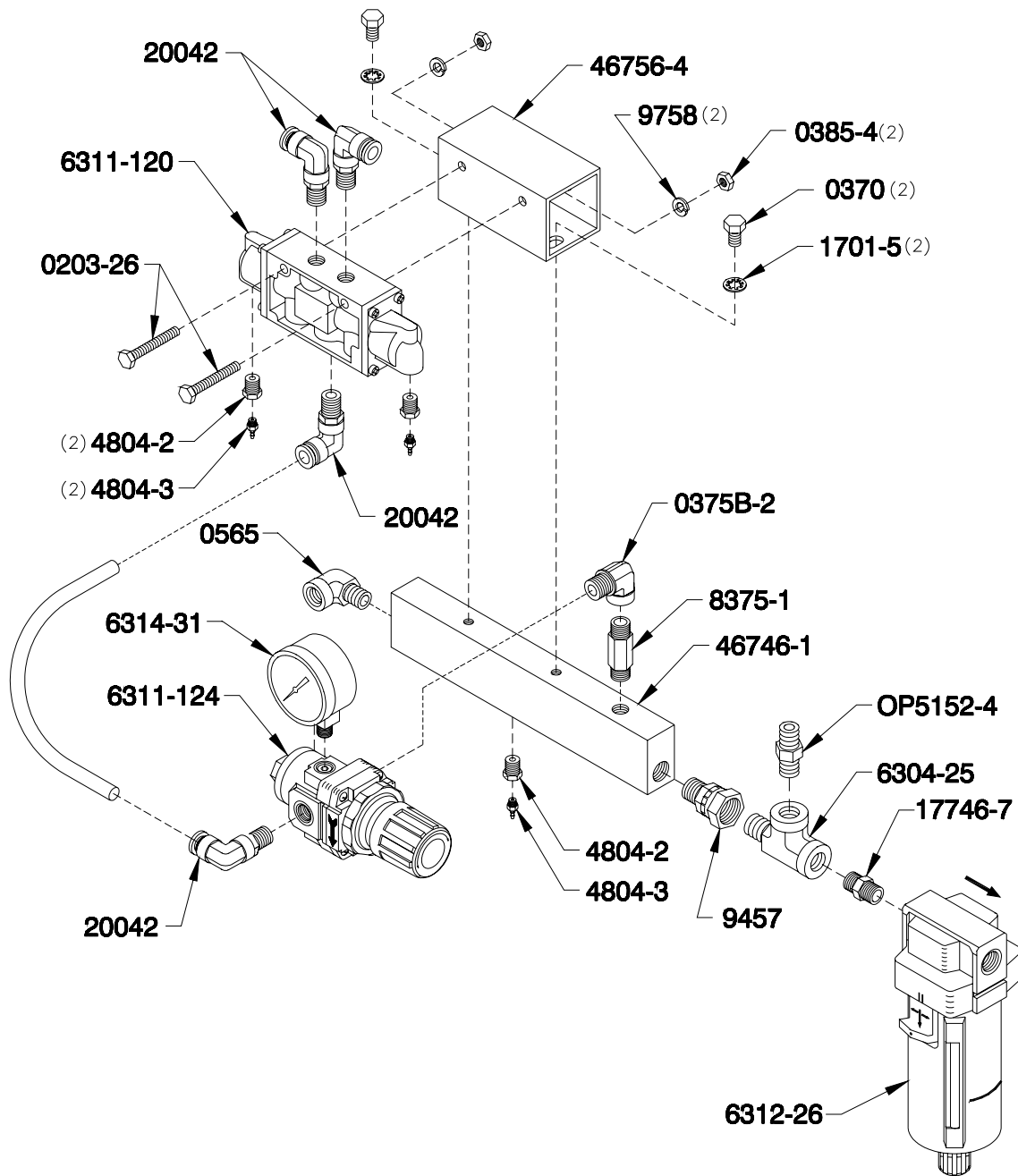


Figure 5. Air Control System Assembly (Part No. 46746), Exploded View

TABLE 5. AIR CONTROL SYSTEM ASSEMBLY (PART NO. 46746), PARTS

Part Number	Description	Quantity
0203-26	Hex Head Cap Screw	2
0370	Hex Head Cap Screw	2
0375B-2	Elbow	1
0385-4	Hex Nut	2
0565	Street Elbow	1
1701-5	Lockwasher	2
17746-7	Hex Nipple	1
4804-2	Reducing Nipple	3
4804-3	Pilot Fitting	3
6304-25	Pipe Tee	1
6311-120	4 Way Air Valve	1
6311-124	Regulator	1
6312-26	Air Filter	1
6314-31	Pressure Gauge	1
8375-1	Hex Nipple	1
9457	Swivel Union	1
9758	Helical Lockwasher	2
20042	Tube Fitting	4
46746-1	Air Manifold	1
46756-4	Mounting Bracket	1
OP5152-4	Hex Nipple	1

Regulator Rebuild Kit (Part #MK6311-124-1).

Filter Rebuild Kit (Part #MK6312-26-1).

PRIMARY HEATER

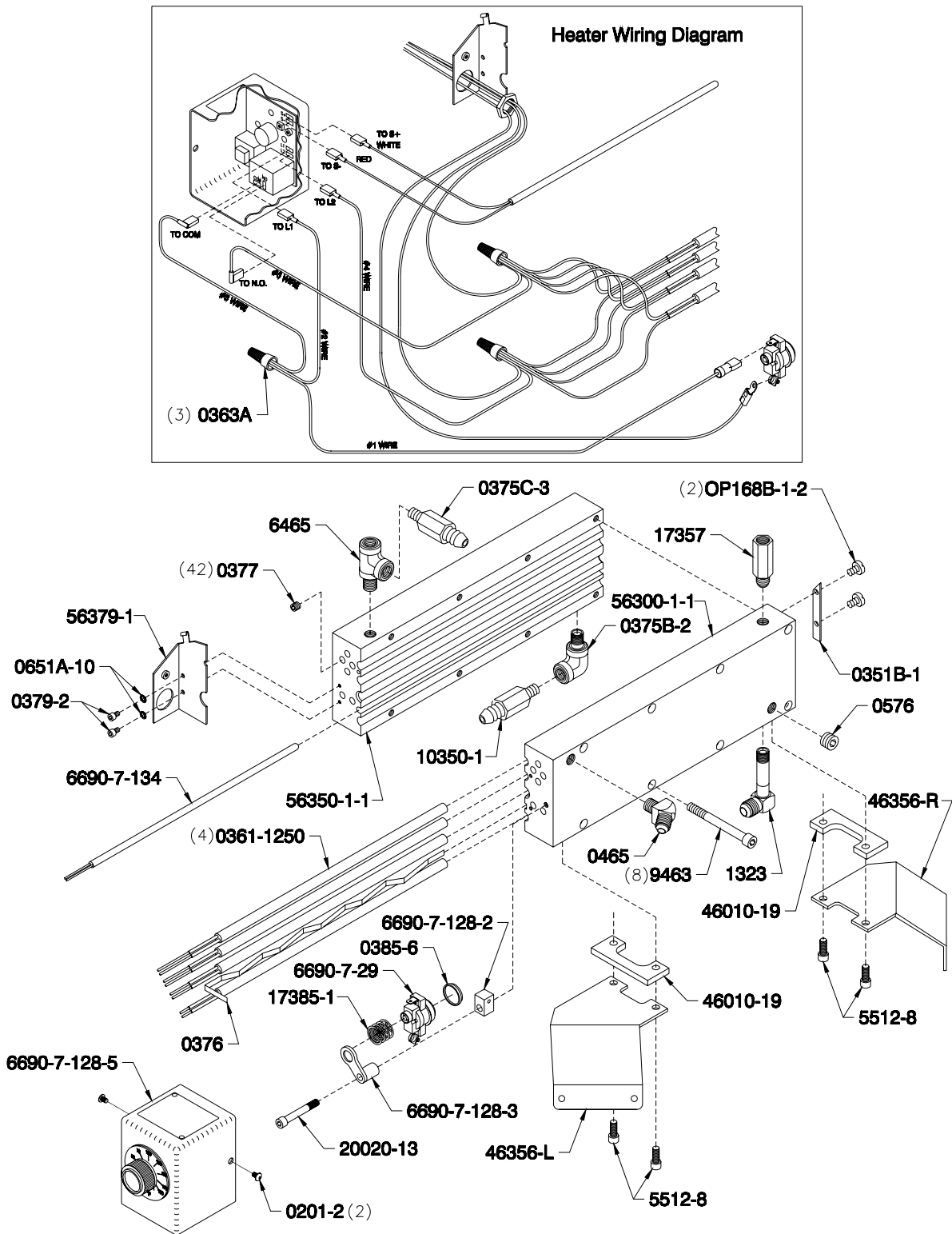


Figure 6. Primary Heater Assembly (Part No. 46300), Exploded View

TABLE 6. PRIMARY HEATER ASSEMBLY (PART NO. 46300), PARTS

Part Number	Description	Quantity
0201-2	Binder Head Cap Screw	2
0351B-1	Stop	1
0361-1250	Heating Element	4
0363A	Insulating Wire Nut	3
0375B-2	Street Elbow	1
0375C-3	Hose Nipple	1
0376	Leaf Spring	1
0377	Pipe Plug	42
0379-2	Socket Head Cap Screw	2
0385-6	Heat Transfer Plate	1
0465	Hose Elbow	1
0576	Pipe Plug	1
0651A-10	Lockwasher	2
1323	Long Male Elbow	1
5512-8	Socket Head Cap Screw	4
6465	Pipe Tee	1
6690-7-29	Thermal Limit Switch	1
6690-7-128-2	Cover Box Mounting Bracket	1
6690-7-128-3	Switch Mounting Bracket	1
6690-7-128-5	Thermostat Assembly (Includes 6690-7-134 & qty 1 of 0363A)	1
6690-7-134	Thermostat Probe	1
* 9463	Socket Head Cap Screw	8
10350-1	Extended Hose Nipple	1
17357	Bushing	1
17385-1	Wave Spring	1
20020-13	Socket Head Cap Screw	1
46010-19	Thermo-Insulator	2
46356-L	Heater Fastening Bracket	1
46356-R	Heater Fastening Bracket	1
56300-1-1	R-Primary Heater Half (Includes 0377 & 0576)	1
56350-1-1	A-Primary Heater Half (Includes 0377)	1
56379-1	Thermostat Mounting Bracket	1
OP168B-1-2	Pan Head Machine Screw	2

* Torque Specifications: 125 Inch Pounds.

PROPORTIONING PUMPS

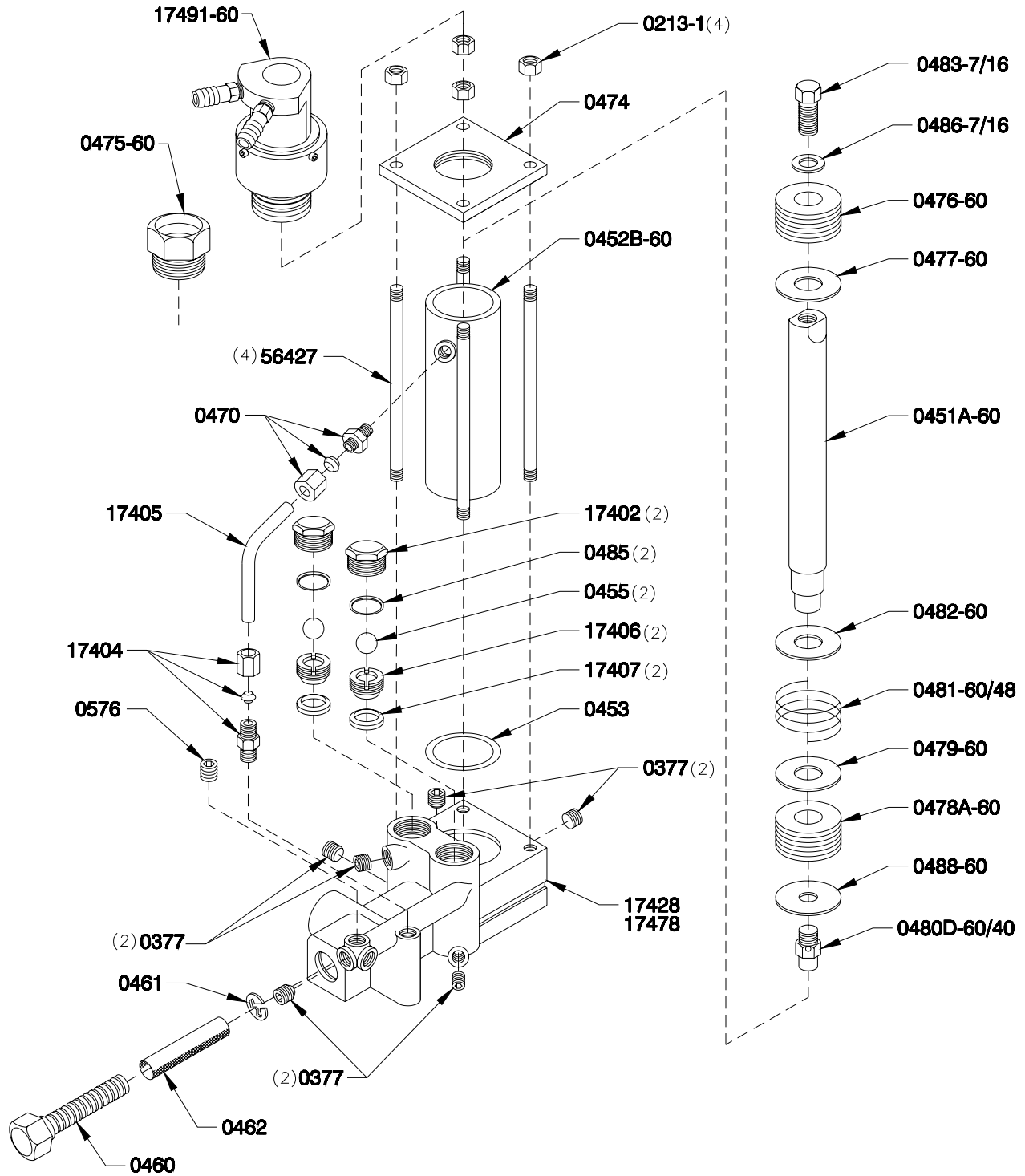


Figure 7. Proportioning Pump Assembly (46400/46450A-60), Exploded View

TABLE 7. PROPORTIONING PUMP ASSEMBLY (46400-60/46450A-60), PARTS

Part Number	Description	Quantity
0213-1	Hex Nut (<i>Torque to 10 Foot-Pounds</i>)	4
0377	Flush Seal Pipe Plug	6
0451A-60	Pump Piston Rod	1
0452B-60	Pump Cylinder	1
0453	O-Ring	1
0455	Valve Ball	2
0460	Screen Screw	1
0461	Snap Ring	1
0462	Pump Screen	1
0470	Tube Nipple	1
0474	Cylinder Top	1
0475-60	R - Packing Nut (46400-60 Only)	1
0476-60	Packing Set	1
0477-60	Packing Support Washer	1
0478A-60	Packing Set	1
0479-60	Packing Support Washer	1
0480D-60/40	Packing Retainer Bolt (<i>Apply Blue Loctite #242 before assembly. Torque to 30 Foot-Pounds.</i>)	1
0481-60/48	Conical Spring	1
0482-60	Spring Retainer Ring	1
0483-7/16	Hex Head Cap Screw	1
0485	O-Ring	2
0486-7/16	Washer	1
0488-60	Packing Retainer Washer	1
0576	Flush Seal Pipe Plug	1
17402	Check Valve Retainer	2
17404	Tube Fitting	1
17405	Crossover Tube with Ferrule	1
17406	Check Valve Seat	2
17407	Check Valve Seal	2
17428	Resin Pump Base (<i>Includes 0377</i>) (46400-60 Only)	1
17478	Iso Pump Base (<i>Includes 0377</i>) (46450A-60 Only)	1
17491-60	Lube Pump Assembly (46450A-60 Only)	1
56427	Tie Rod	4

LUBE RESERVOIR HOSE ASSEMBLY

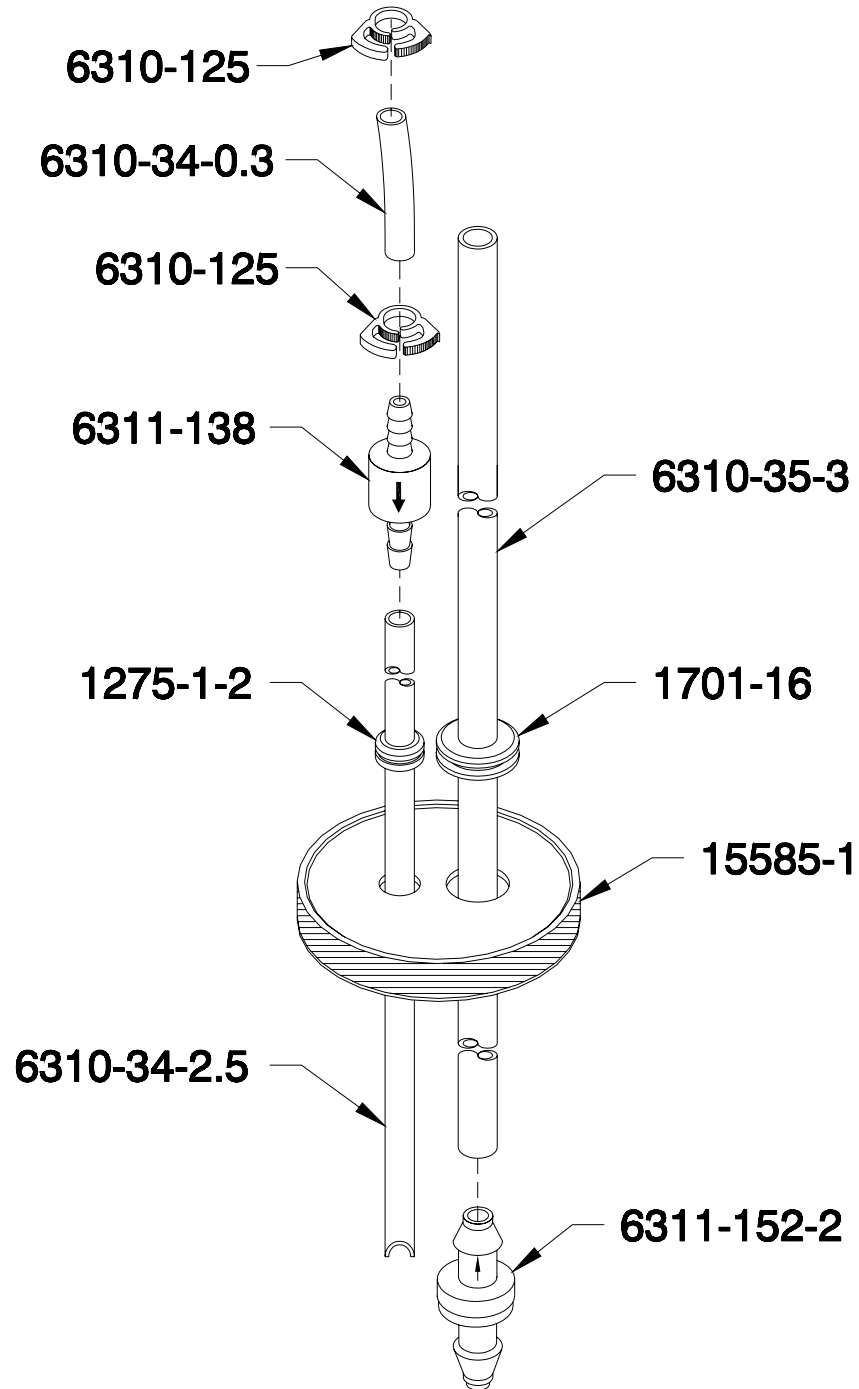


Figure 8. Lube Reservoir Hose Assembly (Part No. 17585), Exploded View

TABLE 8. LUBE RESERVOIR HOSE ASSEMBLY (PART NO. 17585), PARTS LIST

Part Number	Description	Quantity
1275-1-2	Rubber Grommet	1
1701-16	13/16 OD Grommet	1
6310-34-0.3	Urethane Tube	1
6310-34-2.5	Urethane Tube	1
6310-35-3	Urethane Tube	1
6310-125	Hose Clamp	2
6311-138	Check Valve	1
6311-152-2	Lube Reservoir Check Valve	1
15585-1	Lube Bottle Cap	1

HOSE HEAT POWER PACK

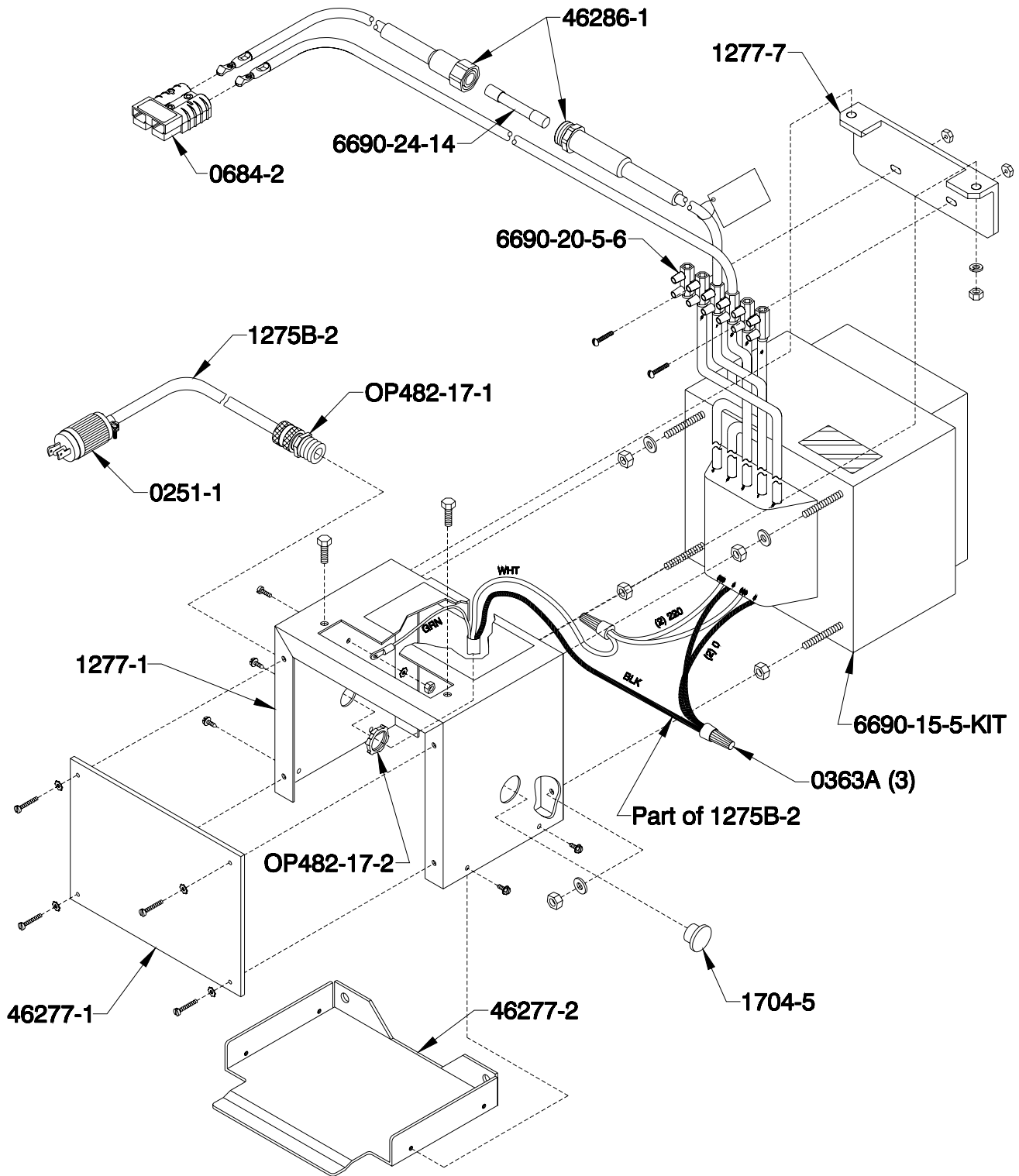


Figure 9. Hose Heat Power Pack (Part No. 46287), Exploded View

TABLE 9. HOSE HEAT POWER PACK (PART NO. 46287), PARTS

Part Number	Description	Quantity
0251-1	Plug	1
0363A	Wire Nut	3
1275B-2	Input (Power) Wire Harness (<i>Includes 0251-1</i>)	1
1277-1	Transformer Cover Box	1
1277-7	Terminal Block Mounting Bracket.	1
1704-5	Hole Plug	1
6690-15-5-KIT	Transformer	1
6690-20-5-6	Terminal Block	1
6690-24-14	50 Amp Fuse	2
46277-1	Front Cover	1
46277-2	Bottom Cover	1
46286-1	Hose Conn. Lead Harness w/Fuse	1
OP482-17-1	Bushing	1
OP482-17-2	Locknut	1

ELECTRICAL SCHEMATIC

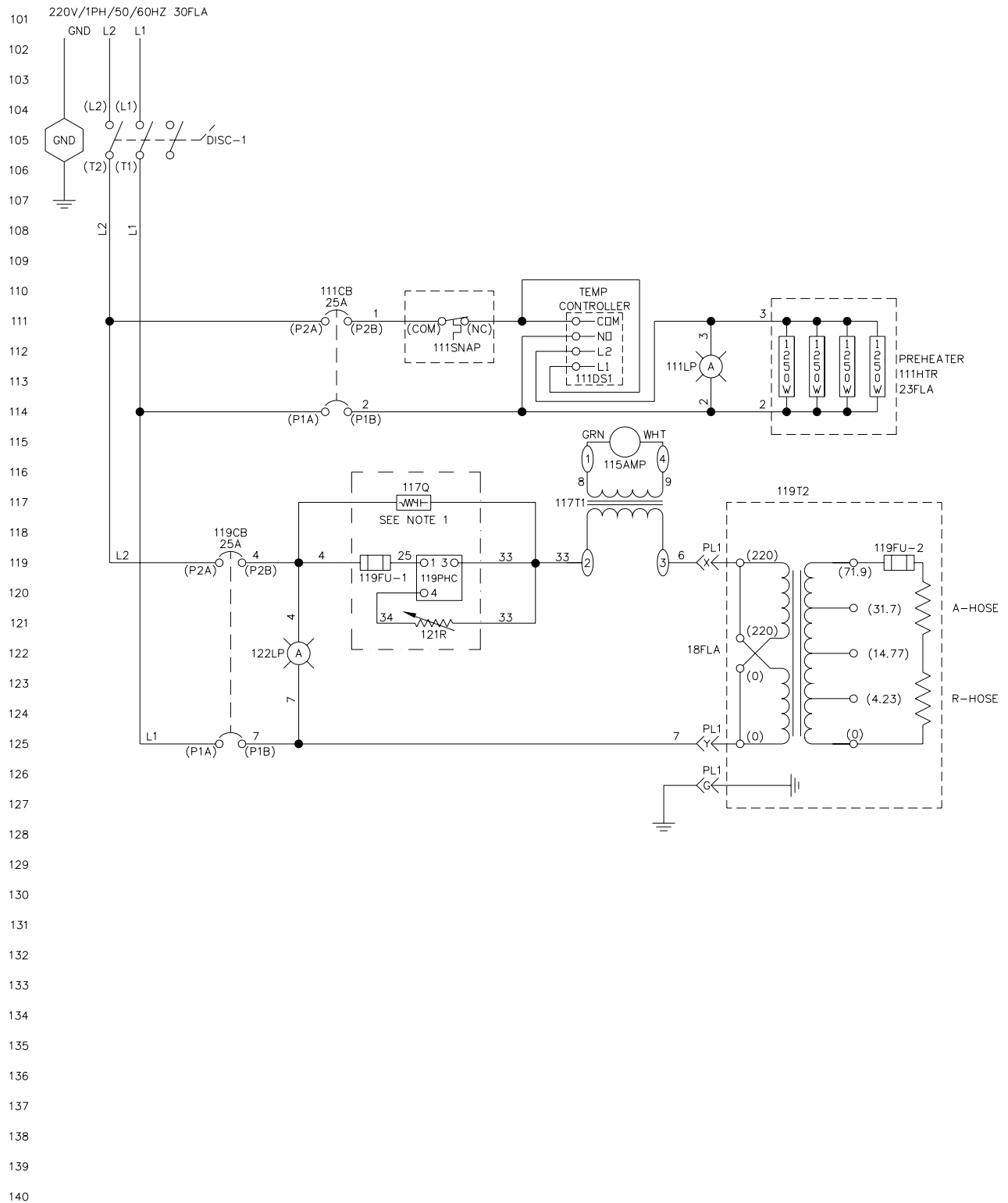


Figure 10. Electrical Schematic (SD46000-6), Schematic Diagram

TABLE 10. ELECTRICAL SCHEMATIC (SD46000-6), PARTS

Reference Number	Part No.	Description	Qty
GND	17650-2	Terminal Lug	1
DISC-1	6690-16-150	40A Disconnect	1
	6690-16-144	Operator Handle	1
111CB	0692-1-25	25 Amp Circuit Breaker	1
111DS1	6690-7-128-5	Thermostat Assembly	Ref (1)
111SNAP	6690-7-29	Thermal Limit Switch	Ref (1)
111LP	6690-19-25	Light Base	1
	0660	Amber Lens	1
	6690-19-24	Bulb	1
111HTR	0361-1250	Heating Element-1250 Watt	Ref (4)
115AMP	9651-6-8	Ammeter	1
*117Q	6690-21-4	Quencharc Assembly	Ref (1)
117T1	9651-6-9	Ammeter Transformer	1
*119CB	0692-1-25	25 Amp Circuit Breaker	1
*119FU-1	6690-24-1	25 Amp Fuse	Ref (1)
	6690-24-2	30 Amp Fuse Block	Ref (1)
*119PHC	6690-26-18	Phase Control	Ref (1)
PL1	0670A-1	Hose Socket	1
119T2	6690-15-5-KIT	Transformer	Ref (1)
119FU-2	6690-24-13	Fuse Holder	Ref (1)
	6690-24-14	50 Amp Fuse	Ref (1)
A-HOSE		Iso Hose Assembly	Ref
B-HOSE		Resin Hose Assembly	Ref
*121R	6690-5-17	Potentiometer	Ref (1)
	17650-4	Knob	1
122LP	6690-19-25	Light Base	1
	0660	Amber Lens	1
	6690-19-24	Bulb	1

* Part of Phase Control Assembly (Part No. 0665B-1).

NOTES

INSTRUCTION MANUAL DISCREPANCY REPORT

Field Number	Field Title	Description
1	Date	_____
2	Name	_____
3	IM Number	_____
4	Issue Number	_____
5	Date of Issue	_____
6	Page Number	_____
7	Discrepancy	_____

Instructions:

Complete the above fields of the form by following the instructions listed on the reverse side of this sheet and mail to:

Gusmer Corporation
 One Gusmer Drive PO Box 2055
 Lakewood, NJ 08701

Field Number	Field Title	Description
1	Date	Enter date report is submitted.
2	Name	Enter name of person making report.
3	IM Number	Enter the Part Number of the Instruction Manual from the title page.
4	Issue Number	Enter the Issue number of the Instruction Manual from the title page. If there is no issue number, enter NONE .
5	Date of Issue	Enter the date of Issue of the Instruction Manual from the title page. If there is no issue date, enter NONE .
6	Page Number	Enter the page number containing the discrepancy.
7	Discrepancy	Provide a brief description of discrepancy.

NOTE: You may send a marked copy of the page as an attachment to your submittal.