

# 245145 and 17N075 SAMPLING VALVE REPAIR KITS

**245145:** For valves; part no.'s 245143, 248191, and 244683; used on ProMix™ Easy, Xtreme Mix™ 185, ProMix™ II Proportioners, Xtreme Mix™ and Xtreme Lowers

406598D

**17N075:** For valve part no. 24Y850; used on Plural Component Mix Manifold (Acid)

EN



### Important Safety Instructions

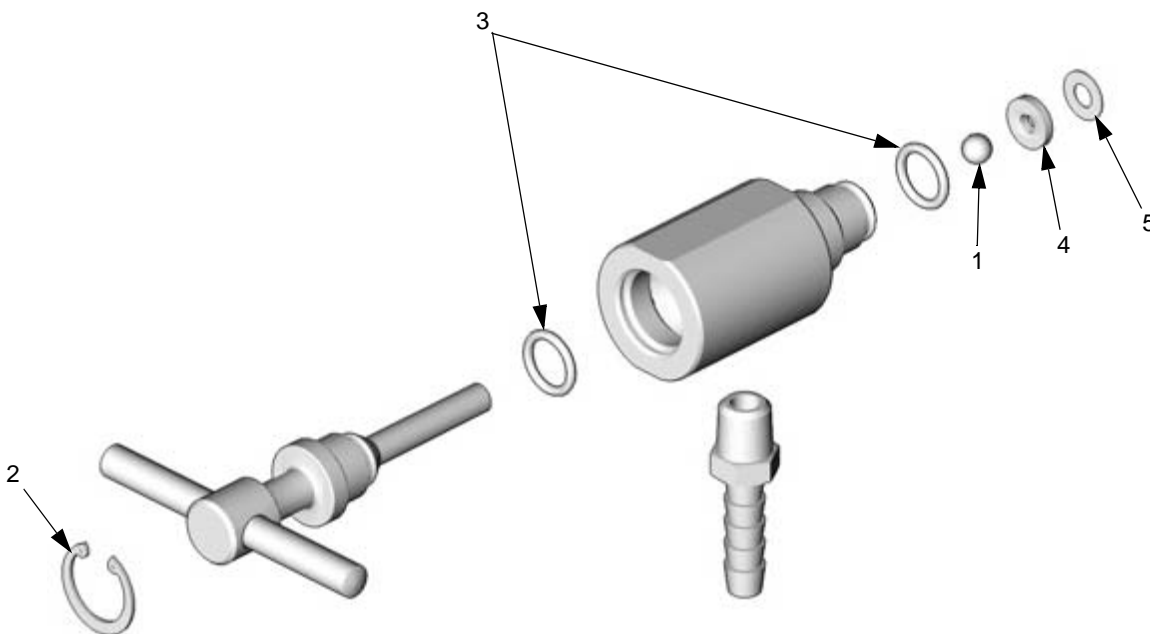
Read all warnings and instructions in this manual.  
Save these instructions.

#### 245145 Sampling Valve Repair Kit

| Ref. | Part No. | Description     | Qty. |
|------|----------|-----------------|------|
| 1    | 107536   | BALL; carbide   | 1    |
| 2    | 110082   | RING, retaining | 1    |
| 3    | 111457   | O-RING; PTFE    | 2    |
| 4    | 183548   | SEAT, valve     | 1    |
| 5    | 187060   | GASKET          | 1    |

#### 17N075 Sampling Valve Repair Kit (Acid)

| Ref. | Part No. | Description           | Qty. |
|------|----------|-----------------------|------|
| 1    | 16W172   | BALL; sst             | 1    |
| 2    | 110082   | RING, retaining       | 1    |
| 3    | 111457   | O-RING; PTFE          | 2    |
| 4    | 17H569   | SEAT, valve; 17-4 sst | 1    |
| 5    | 15G250   | GASKET                | 1    |



TI5010A

## Graco Information

For the latest information about Graco products, visit [www.graco.com](http://www.graco.com).

For patent information, see [www.graco.com/patents](http://www.graco.com/patents).

**TO PLACE AN ORDER**, contact your Graco distributor or call to identify the nearest distributor.

**Phone:** 612-623-6921 **or Toll Free:** 1-800-328-0211 **Fax:** 612-378-3505

*All written and visual data contained in this document reflects the latest product information available at the time of publication.  
Graco reserves the right to make changes at any time without notice.*

Original instructions. This manual contains English. MM 406598

**Graco Headquarters:** Minneapolis

**International Offices:** Belgium, China, Japan, Korea

**GRACO INC. AND SUBSIDIARIES • P.O. BOX 1441 • MINNEAPOLIS MN 55440-1441 • USA**  
**Copyright 2004, Graco Inc. All Graco manufacturing locations are registered to ISO 9001.**

[www.graco.com](http://www.graco.com)

Revision D, September 2016