

Instructions – Parts List



HYDRA-SPRAY® POLE GUN

306627N

3000 psi (210 bar) Maximum Working Pressure

Part No. 237768, Series B

1 foot (300 mm) length

Part No. 237769, Series B

2 feet (600 mm) length

Part No. 205129, Series N

3 feet (910 mm) length

Part No. 237770, Series B

4 feet (1.2 m) length

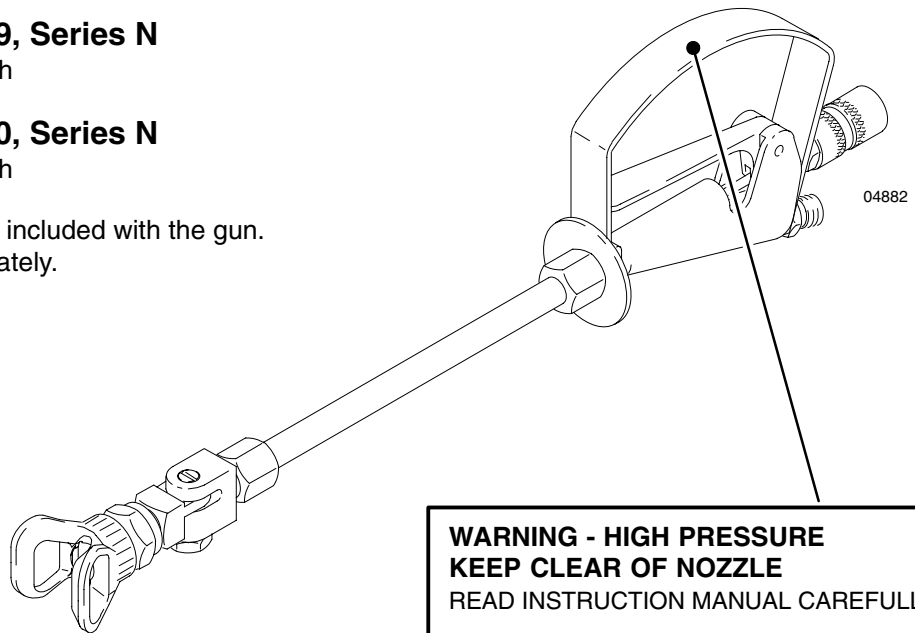
Part No. 204979, Series N

6 feet (1.8 m) length

Part No. 205130, Series N

8 feet (2.4 m) length

The spray tip is not included with the gun.
Order the tip separately.



Read warnings and instructions.
See page 2 for Table of Contents.

PROVEN QUALITY. LEADING TECHNOLOGY.



Table of Contents

Symbols	2	Service	9
Installation	5	Troubleshooting	9
Required Accessories	5	Adjust the Needle	9
Electrical Grounding	5	Swivel Repair	10
Operation	6	Packing, Seal, & Needle Replacement	11
Pressure Relief Procedure	6	Parts	13
How to Use the Safety Knob	6	Technical Data	15
Startup	7	Graco Standard Warranty	16
How to Adjust the Spray Pattern	7	Graco Information	16
How to Adjust the Trigger Tension	7		
Lubrication	7		
How to Clear or Clean a Clogged Spray Tip	8		
How to Flush the Gun	8		

Symbols

Warning Symbol



This symbol alerts you to the possibility of serious injury or death if you do not follow the instructions.

Caution Symbol



This symbol alerts you to the possibility of damage to or destruction of equipment if you do not follow the instructions.

! WARNING

HAZARD OF USING FLUIDS CONTAINING HALOGENATED HYDROCARBONS

Never use 1,1,1-trichloroethane, methylene chloride, other halogenated hydrocarbon solvents or fluids containing such solvents in this equipment. Such use could result in a serious chemical reaction, with the possibility of explosion, which could cause death, serious injury and/or substantial property damage.

Consult your fluid suppliers to ensure that the fluids being used are compatible with aluminum and zinc parts.

! WARNING



RECOIL HAZARD

Due to the high pressure fluid emitted, a strong recoil action may occur when you trigger this gun. If you are unprepared, your hand could be forced back toward your body or you could lose your balance and fall, resulting in serious injury.

WARNING



INJECTION HAZARD

Spray from the spray gun, hose leaks or ruptured components can inject fluid into your body and cause extremely serious injury, including the need for amputation. Splashing fluid in the eyes or on the skin can also cause serious injury.

- Fluid injected into the skin might look like just a cut, but it is a serious injury. **Get immediate medical attention.**
- Do not point the spray gun at anyone or any part of the body.
- Do not put hand or fingers over the spray tip.
- Do not stop or deflect fluid leaks with your hand, body, glove or rag.
- Do not “blow back” fluid; this is not an air spray system.
- Always have the tip guard and the trigger guard on the spray gun (if so equipped) when spraying.
- Check the spray gun diffuser (if so equipped) operation weekly. Refer to the gun manual.
- Be sure the spray gun safety knob operates before operating the gun.
- Lock the spray gun safety knob when you stop spraying.
- Follow the **Pressure Relief Procedure** on page 6 when you are instructed to relieve pressure, stop spraying, check, clean or service any system equipment, or install or change spray tips.
- Tighten all fluid connections before each use.
- Check the hoses, tubes and couplings daily. Replace worn or damaged parts immediately. Permanently coupled hoses cannot be repaired.
- Handle and route hoses and tubes carefully. Keep hoses and tubes away from moving parts and hot surfaces. Do not use the hoses to pull equipment. Do not expose Graco hoses to temperatures above 180°F (82°C) or below -40°F (-40°C).



TOXIC FLUID HAZARD

Hazardous fluids or toxic fumes can cause a serious injury or death if the fluid is swallowed or splashed in the eyes or on the skin or if the fumes are inhaled.

- Know the specific hazards of the fluid you are using.
- Store hazardous fluid in an approved container. Dispose hazardous fluid according to all local, state and national guidelines.
- Dress appropriately for your application. Wear protective eyewear, noise protection for the ears, a personal respirator, gloves and clothing.



MOVING PARTS HAZARD

Moving parts, such as the air motor piston and the secondary pump lever and connecting rod area, can pinch or amputate fingers.

- Do not operate the equipment with the air motor plates removed.
- Keep your body and tools clear of any moving parts when starting or operating the equipment.

WARNING



FIRE AND EXPLOSION HAZARD

Improper grounding, poor air ventilation, open flames, or sparks can cause a hazardous condition and result in fire or explosion and serious injury.

- Ground the equipment and the object being sprayed. See **Electrical Grounding** on page 5.
- Provide fresh air ventilation to avoid the buildup of flammable fumes from solvent or the fluid being sprayed.
- Extinguish all the open flames or pilot lights in the spray area.
- Electrically disconnect all the equipment in the spray area.
- Keep the spray area free of debris, including solvent, rags, and gasoline.
- Do not turn on or off any light switch in the spray area while operating or if fumes are present.
- Do not smoke in the spray area.
- Do not operate a gasoline engine in the spray area.
- If there is any static sparking while using the equipment, **stop spraying immediately**. Identify and correct the problem.



EQUIPMENT MISUSE HAZARD

Equipment misuse can cause the equipment to rupture, malfunction, or start unexpectedly and result in serious injury.


- This equipment is for professional use only.
- Read all instruction manuals, tags, and labels before operating the equipment.
- Use the equipment only for its intended purpose. If you are uncertain about the usage, call your distributor.
- Do not alter or modify this equipment. Use only genuine Graco parts and accessories.
- Check the equipment daily. Repair or replace worn or damaged parts immediately.
- Do not exceed the maximum working pressure of the lowest rated system component. This equipment as a **3000 psi (207 bar) maximum working pressure**.
- Do not lift pressurized equipment.
- Route the hoses away from the traffic areas, sharp edges, moving parts, and hot surfaces. Do not expose Graco hoses to temperatures above 180°F (82°C) or below -40°F (-40°C).
- Do not use the hoses to pull the equipment.
- Use fluids or solvents that are compatible with the equipment wetted parts. See the **Technical Data** section of all the equipment manuals. Read the fluid and solvent manufacturer's warnings.
- Fluid hoses must have spring guards on both ends to protect them from rupture caused by kinks or bends near the couplings.
- Comply with all applicable local, state and national fire, electrical and other safety regulations.
- Wear hearing protection when operating this equipment.

Installation

Installation

NOTE: Numbers in parentheses in the text refer to reference numbers on the figures and parts drawing.

1. Connect a grounded fluid hose to the gun fluid inlet.
2. Without the spray tip installed, start the pump or sprayer and flush and prime it according to the pump or sprayer instructions.

⚠ WARNING	
	INJECTION HAZARD To reduce the risk of a serious injury, always follow the Pressure Relief Procedure on page 6 whenever you are instructed to relieve the pressure.

3. Relieve the pressure.
4. With the gun safety knob locked, unscrew the tip guard (34) and install the tip (B) and filter assembly (32) in the tip guard nut. Screw the assembly firmly onto the gun. Tighten with a wrench. See Fig. 1.

NOTE: Failure to install the filter assembly (32) will result in leaking at the nozzle.

NOTE: A Reverse-A-Clean IV DripLess Tip Guard, Part No. 220422, may be used on the gun instead of the flat-tip tip guard which is supplied. Order a Switch-Tip separately. The installation information is supplied with the tip guard.

5. Strain the fluid you are spraying if it contains particles which clog the spray tip.

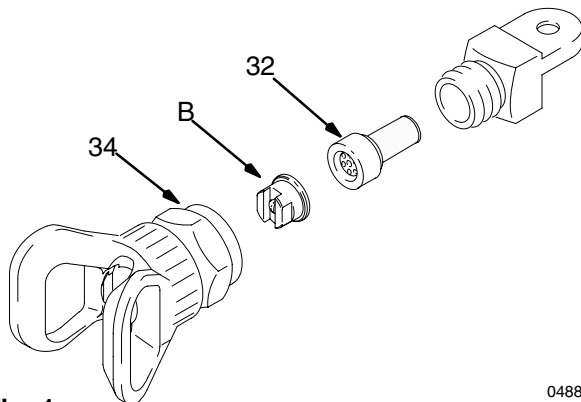



Fig. 1


04883

Required Accessories

⚠ WARNING	
	INJECTION HAZARD Your spray system must have a bleed-type master air valve and a fluid drain valve. These two accessories help reduce the risk of serious injury, including fluid injection, splashing in the eyes or on the skin, or injury from moving parts, if you are adjusting or repairing the pump or gun.

1. The *bleed-type master air valve* relieves air trapped between this valve and the pump after the air regulator is shut off. Trapped air can cause the pump to cycle unexpectedly.
2. The *fluid drain valve* assists in relieving fluid pressure in the displacement pump, hose and gun; triggering the gun to relieve pressure may not be sufficient.

Electrical Grounding

⚠ WARNING	
	FIRE AND EXPLOSION HAZARD To reduce the risk of static sparking, which can cause a fire or explosion and result in serious injury, including electric shock, and property damage, always follow these precautions.
<ul style="list-style-type: none">• Read and follow the warnings in FIRE and EXPLOSION HAZARD on page 4.• Provide electrical grounding continuity throughout the entire spray system as instructed below.• Have a trained and qualified person perform all electrical wiring.• Comply with all applicable local, state and national fire, electrical and other safety regulations.	

1. Provide electrical grounding for the **pump or sprayer** as instructed in its separate manual.
2. Provide electrical grounding for the **air compressor or hydraulic power supply** according to the local code and the manufacturer's recommendations.

Continued on page 6.

Installation

Electrical Grounding continued from page 5.



3. Use only electrically conductive **fluid hoses** with a maximum of 500 feet (150 m) combined hose length to ensure grounding continuity.
4. Obtain electrical grounding continuity for the **spray gun** by connecting it to a properly grounding fluid hose and pump or sprayer.
5. Provide electrical grounding for these components according to the local code: the **fluid supply**

container, the object being sprayed, and all of the solvent pails used when flushing. Use only metal pails, which are conductive. Do not place the pail on a non-conductive surface, such as paper or cardboard, which interrupts the grounding continuity.

6. **To maintain grounding continuity when flushing or relieving pressure,** always hold a metal part of the gun firmly to the side of a *grounded* metal pail, then trigger the gun.



Operation

Pressure Relief Procedure

 WARNING	
	INJECTION HAZARD To reduce the risk of serious injury, including fluid injection, splashing in the eyes or on skin, or injury from moving parts, always follow this procedure whenever the spray equipment is shut off, when checking or servicing any part of spray system, when installing, cleaning or changing spray tips and whenever you stop spraying.

1. Lock the gun safety knob.
2. Shut off the power supply to the pump and open any air bleed valves in the system.
3. Unlock the gun safety knob.
4. Hold a metal part of the gun firmly to the side of a *grounded* metal waste container, and trigger the gun to relieve pressure.
5. Lock the gun safety knob.
6. Open the pump drain valve to help relieve fluid pressure in the pump, hose and gun. Triggering the gun to relieve pressure may not be sufficient. Have a container ready to catch the drainage.
7. Leave the drain valve open until you are ready to spray again.

If you suspect that the spray tip or hose is completely clogged or that pressure has not been fully relieved after following the steps above, VERY SLOWLY loosen the tip guard retaining nut or hose end coupling and relieve pressure gradually, then loosen completely. Now clear the tip or hose obstruction.

 WARNING	
	INJECTION HAZARD The wallet-sized warning card provided with this gun should be kept with the operator at all times. The card contains important treatment information should a fluid injection injury occur. Additional cards are available at no charge from Graco, Inc.

How to Use the Safety Knob

To lock the safety knob (A), turn the knob fully clockwise; this locks the needle in the forward position. To unlock the safety knob, turn the knob fully counterclockwise. See Fig. 2.

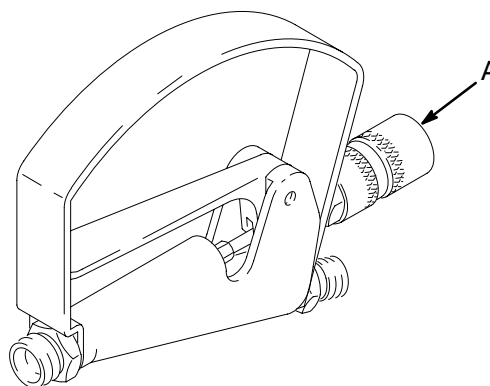



Fig. 2

04884

Operation

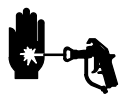
⚠ WARNING

INJECTION HAZARD
To reduce the risk of a serious injury, always follow the **Pressure Relief Procedure** on page 6 whenever you are instructed to relieve the pressure.



⚠ WARNING

INJECTION HAZARD
To reduce the risk of a fluid injection injury, do not operate the gun with the tip guard or trigger guard removed.



Startup

1. Start the pump. Adjust the fluid pressure so the spray is completely atomized. Always use the lowest pressure necessary to get the desired results. Higher pressure may not improve the spray pattern and will cause premature tip and pump wear.
2. If adjusting the pressure does not give a good spray pattern, try another size tip. Relieve the pressure before changing a spray tip.
3. Use a full-open, full-close trigger action. Hold the gun about 14 inches (350 mm) from and at right angles to the work surface. Don't swing the gun in an arc. Practice to find the best length and speed of stroke.

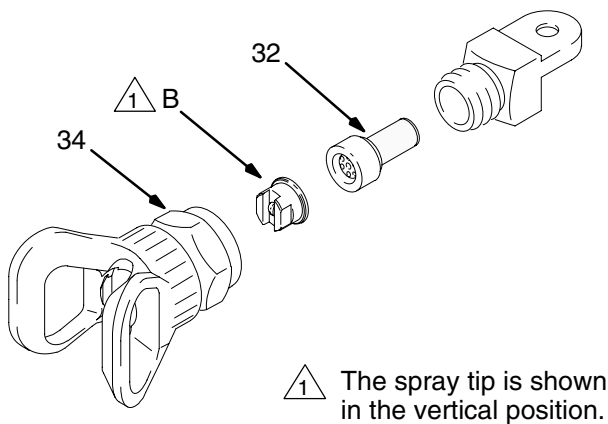


Fig. 3

04883

How to Adjust the Spray Pattern

1. Relieve the pressure.
2. Loosen the tip guard retaining nut.
3. Turn the spray tip so the groove is horizontal for a horizontal spray pattern and vertical for a vertical pattern. See Fig. 3.
4. The spray tip orifice size and spray angle determines the coverage and size of the pattern. When more coverage is needed, use a larger spray tip rather than increasing the fluid pressure.

⚠ CAUTION

The openings in the tip guard are designed to reduce paint buildup on the guard while spraying. Any damage to the sharp edges of the openings causes paint to collect at that area. To avoid damaging the tip guard, do not hang the gun by the tip guard.

How to Adjust the Trigger Tension

Turn the hex part of the trigger safety (B) in or out to adjust the trigger tension. See Fig 4.

Lubrication

Oil the exposed part of the valve rod (16) and trigger pivot (14) daily. See Fig. 4. Whenever you clean the gun, remove the tension adjusting screw (3), and pull out the valve rod. See Fig. 6, page 7. Clean and oil the exposed part of the valve rod all the way back to the packing screw (20).

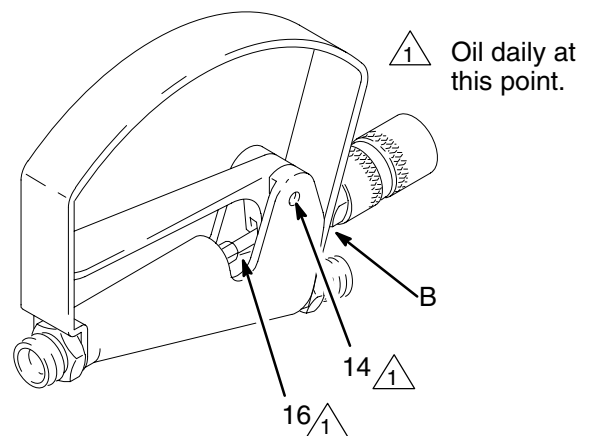


Fig. 4

04884

Operation

⚠ WARNING



INJECTION HAZARD

To reduce the risk of an injection or splashing fluid in the eyes or on skin, follow these precautions before removing, cleaning or changing a spray tip or tip guard.

- Do not hold your hand, body, or rag in front of the spray tip when cleaning or checking a clogged tip.
- Always point the gun toward the ground or into a waste container when checking to see if the spray tip is cleared.
- Do not try to “blow back” paint; this is NOT an air spray gun.
- Follow the **Pressure Relief Procedure** on page 6 before wiping the fluid buildup off the gun or spray tip, before removing the tip guard or the spray tip, and whenever you are instructed to relieve the pressure.

How to Clear or Clean a Clogged Spray Tip.

NOTE: Clean the tip frequently during the daily operation and at the end of the work day. This helps keep fluid buildup from drying and clogging the spray tip.

1. Relieve the pressure.
2. Use a solvent-soaked brush to clean the tip.
3. Remove the tip (B) and the filter (32). See Fig. 3.
4. Blow out the tip obstruction with air from the front of the spray tip, or soak the spray tip and gun nozzle long enough to dissolve the obstruction. If the clog won't dissolve, tap the back of the spray tip against a flat surface to remove it.

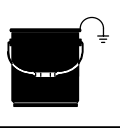
⚠ CAUTION

Do not soak the entire gun in solvent. Prolonged exposure to solvent can ruin the packings.

How to Flush the Gun.

Always flush the gun thoroughly whenever you are done spraying for the day and before the fluid being sprayed can dry or set up in the gun.

⚠ WARNING



FIRE AND EXPLOSION HAZARD

To reduce the risk of a serious injury from fluid injection, static sparking, or splashing fluid in the eyes on or the skin, follow these precautions when flushing.


- Be sure the entire system and the flushing pails are properly grounded. Refer to **Electrical Grounding** on page 5.
 - Remove the spray tip from the gun.
 - Use the lowest possible fluid pressure.
 - Maintain firm metal-to-metal contact between the gun and pail during flushing.
 - Follow the **Pressure Relief Procedure** on page 6 whenever you are instructed to relieve pressure.
1. Use a solvent that is compatible with the wetted parts in the gun and the rest of the system, as well as with the material being sprayed.
 2. Follow the flushing instructions for your spray system or pump.
 3. If you are flushing with water, follow the water with a rust inhibitor to protect the gun and packings from corrosion.
 4. If necessary, disassemble the gun and clean all passages thoroughly with a soft bristle brush.

Service

Troubleshooting.

Problem	Solution
The gun continues to spray after the trigger is released.	Adjust the needle. See page 9. If necessary, disassemble and repair the gun.
Fluid is leaking past the packings.	Tighten the packing screw (20) if it is loose. Replace worn or damaged packings (15) or the needle, as needed.
Fluid is leaking around the swivel housing (9).	Repack the swivel. See page 10.

⚠
WARNING



INJECTION HAZARD

To reduce the risk of a serious injury, always follow the **Pressure Relief Procedure** on page 6 whenever you are instructed to relieve the pressure.

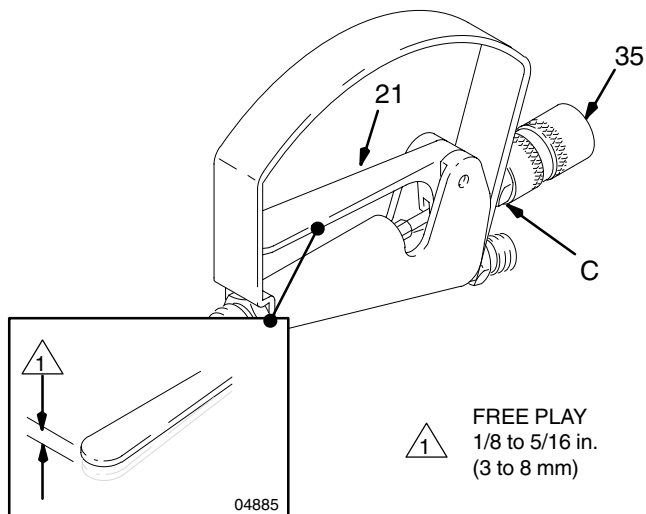
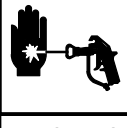


Fig. 5

04884

Adjust the Needle.

⚠
WARNING



INJECTION HAZARD

Improper needle adjustment may allow the gun to be triggered even when the safety knob is locked, which can result in serious injury, including fluid injection and splashing fluid in the eyes or on the skin. Be sure that the needle assembly is properly adjusted, as instructed below.

1. Relieve the pressure. Disconnect the fluid hose.
2. Check the free play of the trigger. Lift the trigger (21) with a finger; it should move 1/8 to 5/16 inch (3.2 to 7.9 mm). See Fig. 5. If not, adjust as described below.
3. Grasp the hex (C) of the safety knob (35) with an 11/16 inch open end wrench and unscrew the knob assembly from the gun body.
4. Squeeze the trigger to move the adjusting nut (19) out, and then loosen the cap screw (3). See Fig. 6. Unscrew the adjusting nut (19) just a few turns.
5. Push the adjusting nut forward as far as possible. You should feel the valve stem (28) contact the seat (31). This indicates proper contact to stop the flow of fluid.
6. Turn the adjusting nut (19) in until the proper free play is obtained. Squeeze the trigger to move the adjusting nut out and tighten the cap screw (3).
7. Screw on the safety knob (35).

Service

⚠ WARNING



INJECTION HAZARD

To reduce the risk of a serious injury, always follow the **Pressure Relief Procedure** on page 6 whenever you are instructed to relieve the pressure.

1. Relieve the pressure. Disconnect the fluid hose.
2. Unscrew the extension tube nut (A) from the swivel housing (9*). Remove the valve seat (31*) and gaskets (7*). See Fig. 6.
3. Unscrew the access plug (10*) and remove gasket (5*), spring (4*), washer (6*), and PTFE seal (13*).
4. Remove tip guard (34), tip (B), and tip fluid filter (32).
5. Remove the screw (27*) and swivel housing (9*).
6. Replace parts as needed and reassemble them in the reverse order of disassembly. Torque the access screw (10*) to 22 to 23 ft-lb (30 to 31 N•m).

Swivel Repair

NOTE: Repair Kit 214823 is available for replacing the swivel and swivel seals. Parts included in the kit are marked with an asterisk, for example (4*), in the text and drawings.

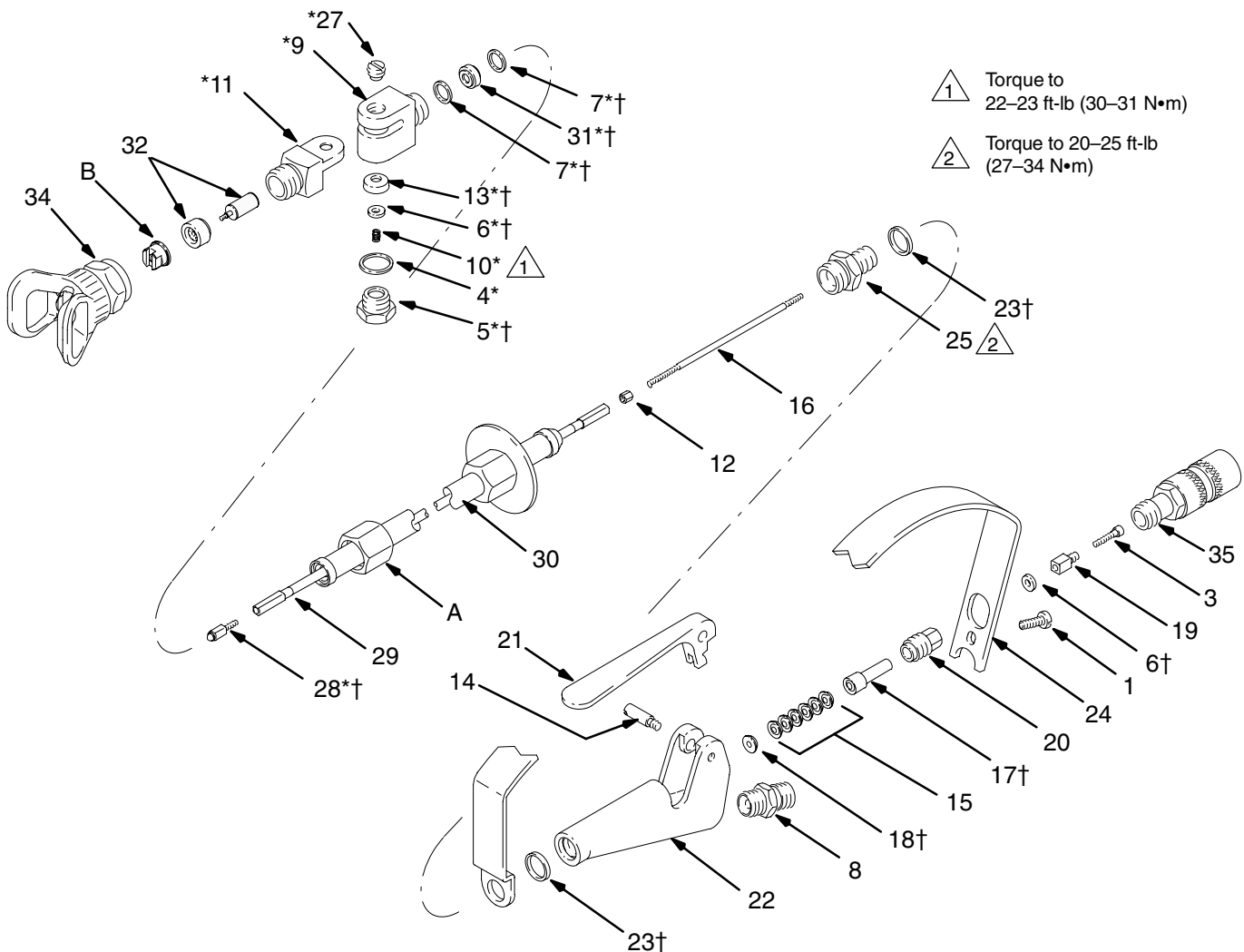



Fig. 6

Service

⚠ WARNING	
	INJECTION HAZARD To reduce the risk of a serious injury, always follow the Pressure Relief Procedure on page 6 whenever you are instructed to relieve the pressure.

Packing, Seal, & Needle Replacement

NOTE: Repair Kit 214822 is available for repacking the gun. Parts included in the kit are marked with a dagger (for example (5†), in the text and drawings. The needle assembly is not included.

1. Relieve the pressure. Disconnect the fluid hose.
2. Unscrew the extension tube nut (A) from the swivel housing (9). Remove the valve seat (31†) and gaskets (7†). See Fig. 7.
3. Unscrew access plug (10) and remove gasket (5†).
4. Remove the nozzle screw (27).
5. Unscrew the tube adapter (25) from the front of the gun body (22) and pull the extension tube (30) over the needle assembly.
6. Unscrew the pivot (14) and remove the trigger (21).
7. Grasp the safety knob (35) hex with an 11/16 inch open end wrench. Unscrew it from the gun body (22).
8. Grasp the adjusting nut (19) flats with an adjustable wrench and pull it out far enough to loosen the cap screw (3) with a 3/32 inch socket head wrench.
9. Unscrew the packing screw (20) with a 3/8 inch open end wrench.
10. Carefully push the valve rod (16) assembly out the front of the valve.

⚠ CAUTION
Handle the valve seat (31†) and valve stem (28†) carefully to avoid damaging the hard carbide portion of these parts.

11. Carefully remove the v-packings (15†) and the glands (17†, 18†) from the back of the gun body, using a hooked pick.
12. Clean all parts with a compatible solvent. Dry them and inspect for damage. Replace parts as needed.
13. Install the screw (27) in the top of the swivel housing (9). Install the new seal (13†), washer (6†) and the spring (4). Place the new gasket (5†) on the access plug (10). Install the plug and torque it to 22 to 23 ft-lb (20 to 31 N•m).
14. Be sure the needle assembly is the correct length. See the DETAIL in Fig. 6. If adjustment is needed, loosen the nut (12) and screw the valve rod (16) in or out as needed. Tighten the nut (12).
15. Lubricate the smooth shaft of the valve rod (16). Insert the threaded end of the needle assembly through the front of the gun.
16. One at a time, slide the new male gland (18†) and six v-packings (15†) *–with the lips of the v-packings facing the front of the gun body–* onto the back of the valve rod (16). Slide the packings into the packing cavity. Insert the new female gland (17†) and press it gently into the packing cavity to help seat the packings.
17. Screw the packing screw (20) loosely into the cavity.
18. Install the trigger (21) and pivot (14).
19. Place a new washer (6†) on the valve rod and thread the adjusting nut (19) onto it. Hold the adjusting nut with an adjustable wrench. Thread the cap screw (3) a few turns into the nut.
20. Place a new gasket (23†) on each side of the front of the trigger guard (24). Screw the tube adapter (25) into the front of the valve. Torque the adapter to 20 to 25 ft-lb (27 to 34 N•m).
21. Slide the extension tube (30) over the needle assembly and screw it onto the tube adapter (25). Screw the tube nut (A) onto the swivel housing (9).
22. Tighten the packing screw (20) just enough to stop leakage; over-tightening results in leaking.
23. Before using the gun, follow the procedure for **Adjust the Needle**, page 9.

Service

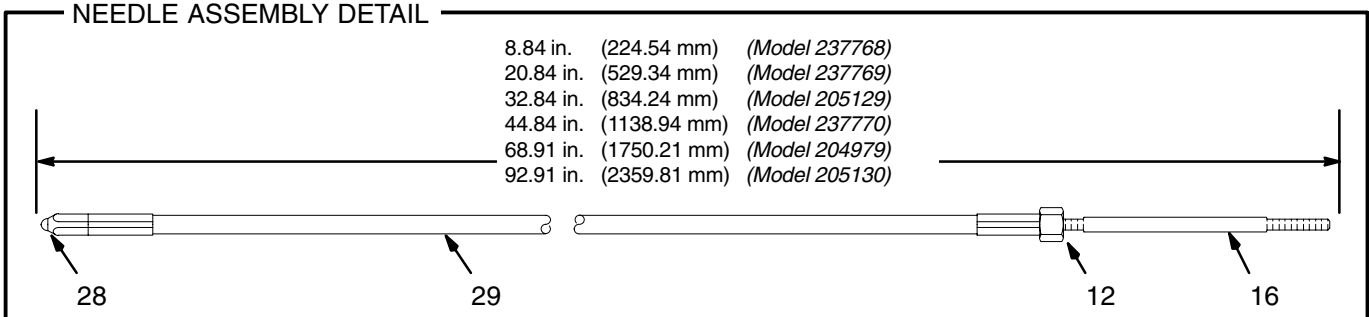
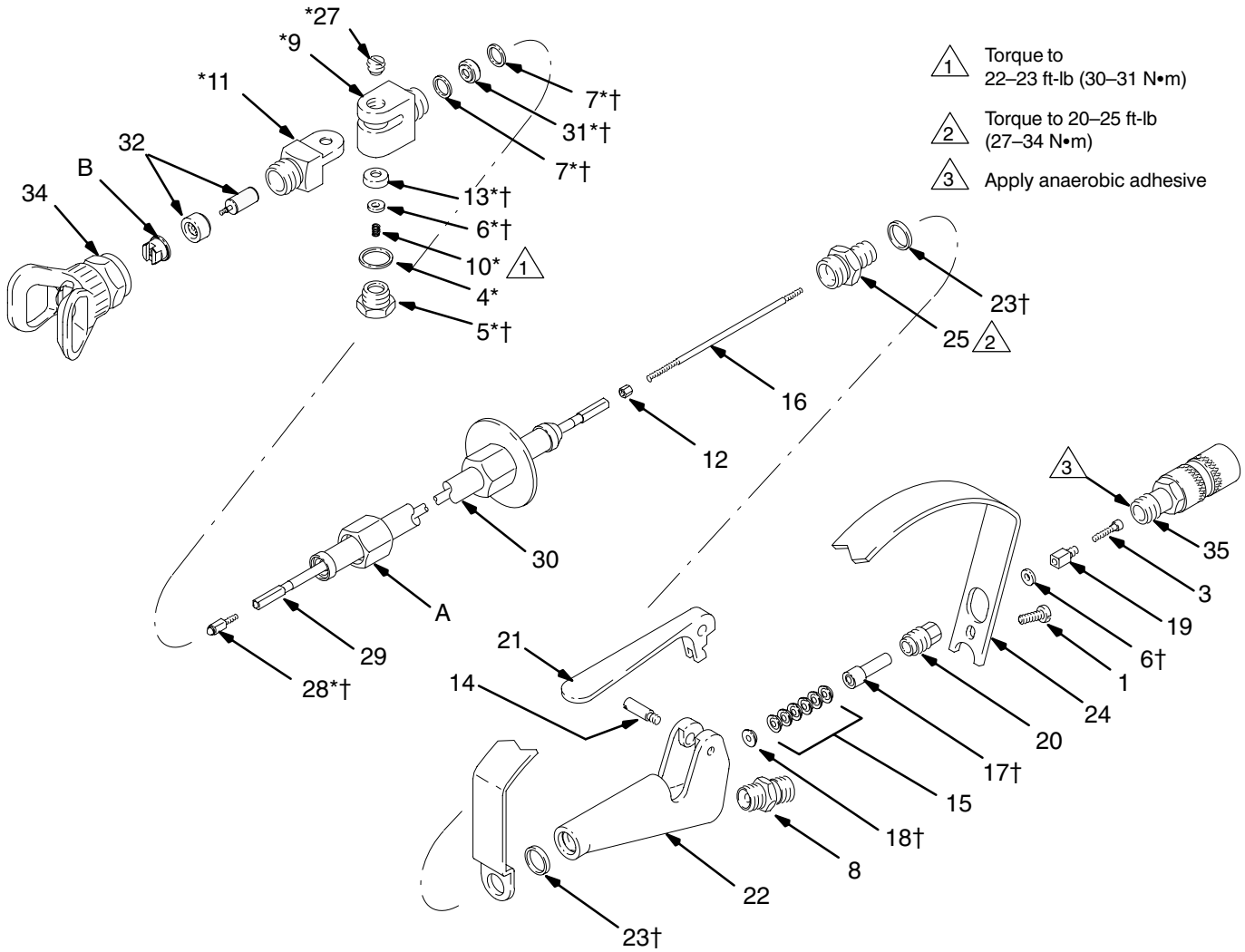
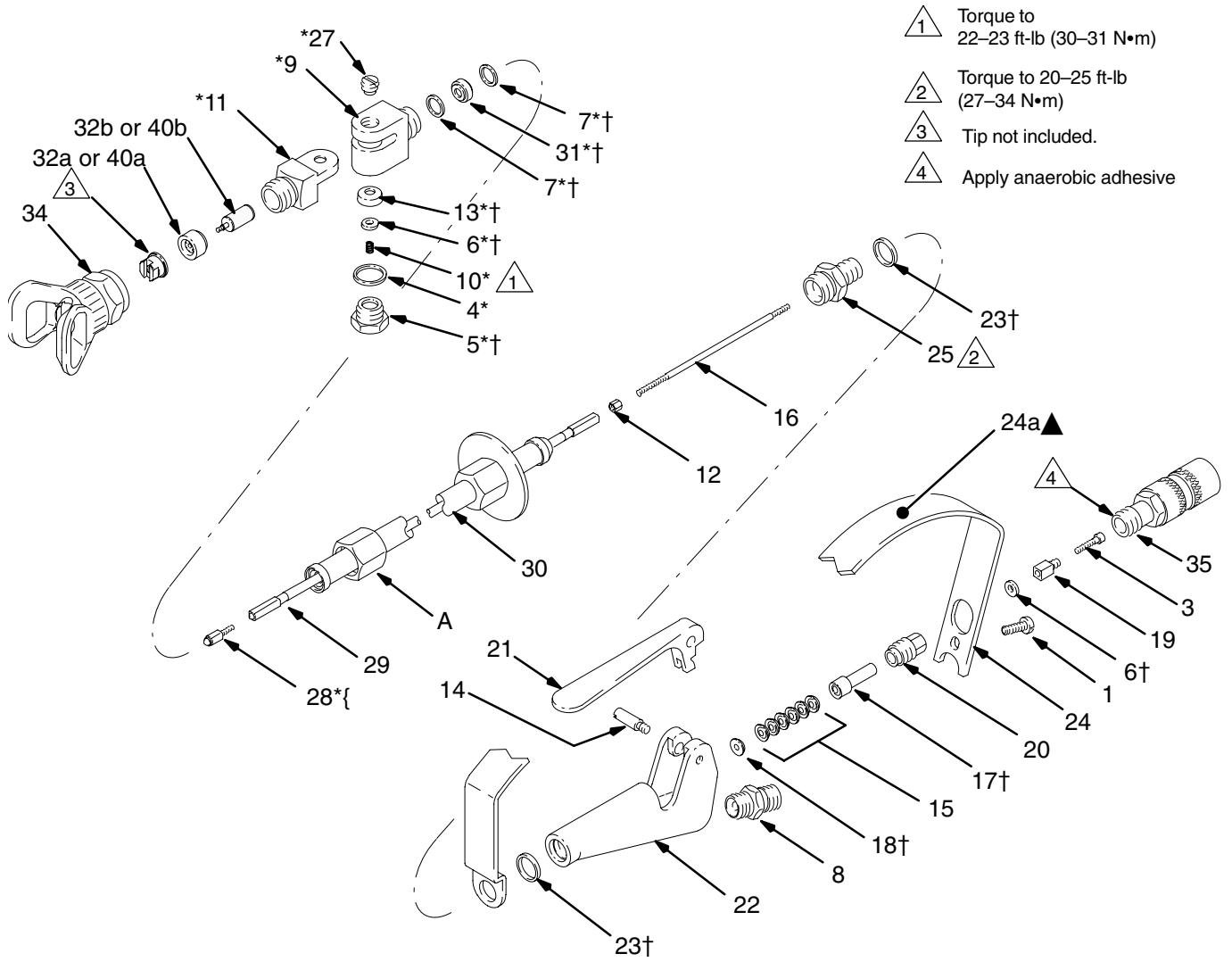


Fig. 7

04887

Parts



Parts

Use Only Genuine Graco Parts and Accessories

Model 237768, Series A

1 foot (300 mm) length
Includes items 1 to 39 as indicated.

Model 237769, Series A

2 feet (600 mm) length
Includes items 1 to 39 as indicated.

Model 205129, Series M

3 feet (910 mm) length
Includes items 1 to 39 as indicated.

Model 237770, Series A

4 feet (1.2 m) length
Includes items 1 to 39 as indicated.

Model 204979, Series M

6 feet (1.8 m) length
Includes items 1 to 39 as indicated.

Model 205130, Series M

8 feet (2.4 m) length
Includes items 1 to 39 as indicated.

Ref No.	Part No.	Description	Qty	Ref. No.	Part No.	Description	Qty.
1	110037	SCREW, rh head machine #10-24 x 1/2	1	30		TUBE, extension	
3	104301	CAP SCREW, socket head; #5-40 x 5/8"	1		205131	For model 205129	1
4*†	150451	GASKET, copper	1		205035	For model 204979	1
5*	162617	PLUG, seal access	1		205133	For model 205130	1
6*†	151395	WASHER	2		237776	For model 237768	1
7*†	160671	GASKET, copper	2		237777	For model 237769	1
8	162453	NIPPLE, hex; 1/4 npsm x 1/4 npt, 1-3/16" long	1		237778	For model 237770	1
9*	162615	HOUSING, swivel	1	31*†	218902	SEAT, needle valve	1
10*	150081	SPRING, compression	1	32✓	205265	TIP FLUID FILTER ASSY 0.009 inch spacing Includes items 32a and 32b	1
11*	162618	NOZZLE, swivel	1	32a	164075	. HEAD, filter	1
12	162623	NUT, lock	1	32b	724195	. ELEMENT	1
13*†	176238	SEAL, PTFE	1	34	220255	GUARD, tip	1
14	165086	SCREW, handle pivot	1	35	210170	SAFETY KNOB, trigger	1
15†	165672	V-PACKING; PTFE	6	36▲	222385	CARD, warning (not shown)	1
16	165673	ROD, valve	1	38▲	172479	TAG, instruction (not shown)	1
17†	165674	GLAND, female	1	39▲	172478	TAG, instruction (not shown)	1
18†	165675	GLAND, male	1				
19✓	165676	NUT, adjusting	1				
20	165677	SCREW, packing	1				
21	190654	TRIGGER, valve	1				
22	165679	BODY, valve	1				
23†	168845	GASKET, copper	2				
24	224707	GUARD, trigger; Includes item 24a	1				
24a▲	170239	. WARNING PLATE	1				
25	168847	ADAPTER, tube	1				
27*	205032	SCREW, nozzle pivot	1				
28*†	218903	STEM, valve	1				
29		STEM, extension					
	205132	For model 205129	1				
	205034	For model 204979	1				
	205134	For model 205130	1				
	237773	For model 237768	1				
	237774	For model 237769	1				
	237775	For model 237770	1				

* *These parts are also included in **Swivel Repair Kit 214823**, which may be purchased separately.*

† *These parts are also included in **Valve Packing and Seal Repair Kit 214822**, which may be purchased separately.*

▲ *Replacement Danger and Warning labels, tags and cards are available at no cost.*

✓ *Keep these spare parts on hand to reduce down time.*

Technical Data

Maximum Fluid

Working Pressure	3000 psi (210 bar)
Fluid Valve Orifice Size	0.188 in. (4.78 mm) dia.
Fluid Inlet	1/4 npsm
Fluid Outlet	1/4 npt
Wetted Parts	Aluminum, Tungsten Carbide, Stainless Steel, Zinc-plated Steel, PTFE, Brass, Delrin®
Height	5 inches (127 mm)
Weight	
Model 205129	2 lb (0.9 kg)
Model 204979	4 lb (1.8 kg)
Model 205130	6 lb (2.7 kg)

Sound Data

Sound Pressure Level	78 dB(A)*
Sound Power Level	87 dB(A)*

* Measured while spraying waterbase paint – gravity
1.36 through a 517 tip at 3,000 psi (207 bar).
Per ISO 3744. Sound levels experienced may be lower
due to pole gun length.

Graco Standard Warranty

Graco warrants all equipment manufactured by Graco and bearing its name to be free from defects in material and workmanship on the date of sale to the original purchaser for use. With the exception of any special, extended, or limited warranty published by Graco, Graco will, for a period of twelve months from the date of sale, repair or replace any part of the equipment determined by Graco to be defective. This warranty applies only when the equipment is installed, operated and maintained in accordance with Graco's written recommendations.

This warranty does not cover, and Graco shall not be liable for general wear and tear, or any malfunction, damage or wear caused by faulty installation, misapplication, abrasion, corrosion, inadequate or improper maintenance, negligence, accident, tampering, or substitution of non-Graco component parts. Nor shall Graco be liable for malfunction, damage or wear caused by the incompatibility of Graco equipment with structures, accessories, equipment or materials not supplied by Graco, or the improper design, manufacture, installation, operation or maintenance of structures, accessories, equipment or materials not supplied by Graco.

This warranty is conditioned upon the prepaid return of the equipment claimed to be defective to an authorized Graco distributor for verification of the claimed defect. If the claimed defect is verified, Graco will repair or replace free of charge any defective parts. The equipment will be returned to the original purchaser transportation prepaid. If inspection of the equipment does not disclose any defect in material or workmanship, repairs will be made at a reasonable charge, which charges may include the costs of parts, labor, and transportation.

THIS WARRANTY IS EXCLUSIVE, AND IS IN LIEU OF ANY OTHER WARRANTIES, EXPRESS OR IMPLIED, INCLUDING BUT NOT LIMITED TO WARRANTY OF MERCHANTABILITY OR WARRANTY OF FITNESS FOR A PARTICULAR PURPOSE.

Graco's sole obligation and buyer's sole remedy for any breach of warranty shall be as set forth above. The buyer agrees that no other remedy (including, but not limited to, incidental or consequential damages for lost profits, lost sales, injury to person or property, or any other incidental or consequential loss) shall be available. Any action for breach of warranty must be brought within two (2) years of the date of sale.

Graco makes no warranty, and disclaims all implied warranties of merchantability and fitness for a particular purpose in connection with accessories, equipment, materials or components sold but not manufactured by Graco. These items sold, but not manufactured by Graco (such as electric motors, switches, hose, etc.), are subject to the warranty, if any, of their manufacturer. Graco will provide purchaser with reasonable assistance in making any claim for breach of these warranties.

In no event will Graco be liable for indirect, incidental, special or consequential damages resulting from Graco supplying equipment hereunder, or the furnishing, performance, or use of any products or other goods sold hereto, whether due to a breach of contract, breach of warranty, the negligence of Graco, or otherwise.

FOR GRACO CANADA CUSTOMERS

The parties acknowledge that they have required that the present document, as well as all documents, notices and legal proceedings entered into, given or instituted pursuant hereto or relating directly or indirectly hereto, be drawn up in English. Les parties reconnaissent avoir convenu que la rédaction du présente document sera en Anglais, ainsi que tous documents, avis et procédures judiciaires exécutés, donnés ou intentés à la suite de ou en rapport, directement ou indirectement, avec les procédures concernées.

Graco Information

TO PLACE AN ORDER, contact your Graco distributor, or call one of the following numbers to identify the distributor closest to you:

1-800-367-4023 Toll Free

612-623-6921

612-378-3505 Fax

All written and visual data contained in this document reflects the latest product information available at the time of publication. Graco reserves the right to make changes at any time without notice.

Sales Offices: Minneapolis, Detroit
International Offices: Belgium, Korea, Hong Kong, Japan

www.graco.com

PRINTED IN USA 306627 09/1958, Revised 02/2004