

GH733, GH833, GH933, GH2570 AND GH5040 OEM Kit

311492F
EN

- Use with Architectural Coating, Paints, Roof Coatings and Below Grade Coatings -

GH733: Part No. 24U326

4000 psi (27.6 MPa, 275.8 bar) Maximum Working Pressure (Material Working PSI)

GH833: Part No. 249767, 253473

4000 psi (27.6 MPa, 275.8 bar) Maximum Working Pressure (Material Working PSI)

GH933: Part No. 24U328

7250 psi (50 MPa, 500 bar) Maximum Working Pressure (Material Working PSI)

GH2570: Part No. 24U325

2500 psi (17.2 MPa, 172 bar) Maximum Working Pressure (Material Working PSI)

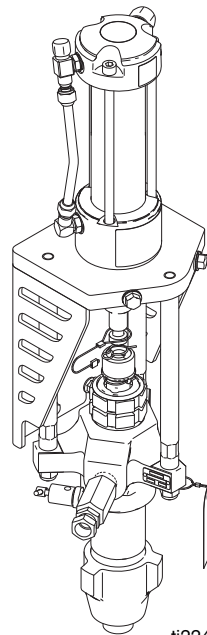
GH5040: Part No. 24U327

5000 psi (34.5 MPa, 345 bar) Maximum Working Pressure (Material Working PSI)

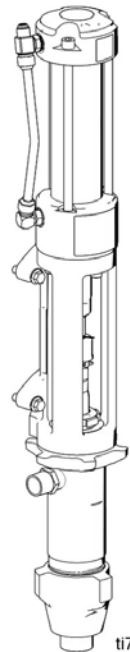


Important Safety Instructions

Read all warnings and instructions in this manual.
Save these instructions.



ti22404a



ti7580a

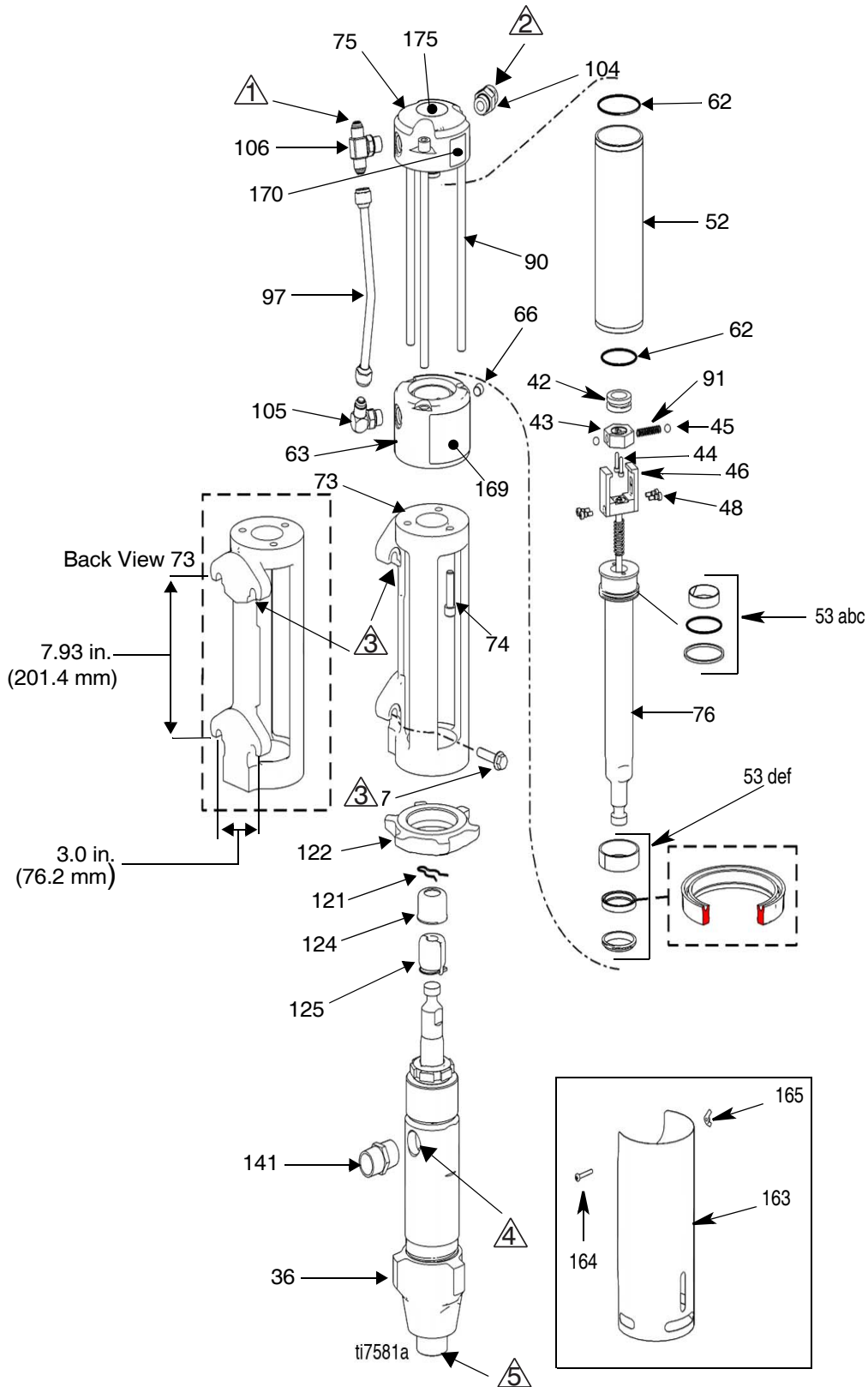
PROVEN QUALITY. LEADING TECHNOLOGY.

Parts

GH833: Part No. 249767, 253473

FN	Part No.	Description	Qty	FN	Part No.	Description	Qty
7*	120226	SCREW, hex hd, flange	4	170	15G878	LABEL, Graco logo	1
36	287834	KIT, pump, displacement, includes 141	1	175*	▲ 15B063	LABEL, warning	1
40*	116554	WASHER, flat	1	163‡	15H201	SHIELD, pump	1
42	15G501	SLEEVE, valve, hydr, motor	1	164‡	111235	SCREW, mach, pnh	1
43	15G503	STOP, valve, hydraulic motor	1	165‡	120317	NUT, wing	1
44	15D256	SCREW, cap, sch	2	▲ Replacement Danger and Warning labels, tags, and cards are available at no cost.			
45	101947	BALL, bearing	2	‡ Use on model 253473.			
46	15G270	YOKE, arm, hydraulic motor	2	* Included in Hydraulic Motor Repair Kit 24Y566			
48	105270	SCREW, shoulder, sch	4	Item Description			
52*	287869	CYLINDER, hydraulic motor	1	▲	HYDRAULIC INLET, 3/4 in. - 16 UNF 2A, 37° flared lance		
53	287870	KIT, repair, packing, hydraulic, includes 62	1	▲	HYDRAULIC RETURN, 1-1/6 in. - 12 UN 2A, 37° flared male		
53a		BEARING, piston	1	▲	MOUNTING SLOT, 4X, 7/16 in. - 14 UNC 2B, flange head, cap screw, 1-3/4 in. long recommended (Graco PN 120226)		
53b		O-RING, piston	1	▲	1 in. - 11-1/2 NPT Female		
53c		SEAL, piston, hydraulic motor	1	▲	1-1/2 in. - 11-1/2 NPT Male		
53d		SEAL, rod	1				
53e		BEARING, rod	1				
53f		WIPER, rod	1				
62*	116084	PACKING, o-ring	2				
63*	15G559	HOUSING, hydraulic motor, lower	1				
66*	101970	PLUG, pipe	1				
73*	15G639	ADAPTER, hydraulic motor/pump	1				
74*	120202	SCREW, cap sch	3				
75	288061	CAP, hydraulic head, includes 175	1				
76	287868	PISTON, hydraulic	1				
90*	120138	SCREW, cap, socket head	3				
91	120146	SPRING, compression	1				
97*	287841	TUBE	1				
104*	120065	FITTING, hydraulic	1				
105*	117607	FITTING, elbow std thd	1				
106*	117609	FITTING, tee, branch, str thd	1				
121*	116407	CLIP, hairpin	1				
122	15G204	NUT, retaining	1				
124	197340	COVER, coupler	1				
125*	244819	COUPLING, assembly	1				
141	15H335	FITTING, nipple, 1 in. npt, includes 36	1				
169*	16U557	LABEL, front	1				

GH833: Part No. 249767, 253473



GH733: Part No. 24U326

FN	Part No.	Description	Qty	FN	Part No.	Description	Qty
1	16U773	BRACKET, mount pump, painted	1	44	15D256	SCREW, cap, sch	2
2*	116554	WASHER, flat	1	45	101947	BALL, bearing	2
3*	C20019	SCREW, cap, socket head	1	46	15G270	YOKE, arm, hydraulic motor	2
4	111802	SCREW, cap, hex head	2	48	105270	SCREW, shoulder, sch	4
5	109570	WASHER, plain	2	53	287870	KIT, repair, packing, hydraulic, includes 6	1
6*	116084	PACKING, o-ring	2	53a		BEARING, piston	1
7*	287869	KIT, repair, cylinder, hydraulic (4GPM)	1	53b		O-RING, piston	1
8*	15G559	HOUSING, hydraulic motor, lower	1	53c		SEAL, piston, hydraulic motor	1
9	16U336	ROD, tie	3	53d		SEAL, rod	1
10	101712	NUT, lock	3	53e		BEARING, rod	1
11*	287868	KIT, repair, piston/rod, hydraulic	1	53f		WIPER, rod	1
12	16U937	FITTING, tee, NTP, 1 X 3/4 X 3/8	1	91	120146	SRPING, compression	1
13	157785	FITTING, swivel	1				
14	245143	VALVE, pressure, bleed	1				
21*	120138	SCREW, cap, socket head	3				
23	L250C1	LOWER, xtreme, 250, NF, seal	1				
24*	120202	SCREW, cap sch	3				
25*	244819	COUPLING, assembly, 145-290 XT	1				
26*	197340	COVER, coupler	1				
27	244820	CLIP, hairpin (w/ lanyard)	1				
29*	117607	FITTING, elbow std thd	1				
30*	101970	PLUG, pipe hdls	1				
31*	117609	FITTING, tee, branch, str thd	1				
32*	120065	FITTING, hydraulic	1				
34*	287841	TUBE, rigid, hydraulic	1				
35	288061	CAP, hydraulic head, includes 38	1				
36*	16U557	LABEL, brand	1				
37*	15G878	LABEL, Graco logo	1				
38*▲	15B063	LABEL, warning, hot surface	1				
39*	120226	SCREW, hex hd, flange	4				
40*▲	15H108	LABEL, pinch point	1				
42	15G501	SLEEVE, valve, hydr, motor	1				
43	15G503	STOP, valve, hydraulic motor	1				

▲ *Replacement Danger and Warning labels, tags, and cards are available at no cost.*

* *Included in Hydraulic Motor Repair Kit 24Y566*

Item	Description
------	-------------

①	HYDRAULIC INLET, 3/4 in. - 16 UNF 2A, 37° flared male
②	HYDRAULIC RETURN, 1-1/6 in. - 12 UN 2A, 37° flared male
③	MOUNTING SLOT, 4X, 7/16 in. - 14 UNC 2B, flange head, cap screw, 1-3/4 in. long recommended (Graco PN 120226)
④	1.0 in. NPT Female 0.75 in. NPS Female swivel (with fitting as shipped)
⑤	1.25 in. NPT Male

GH5040: Part No. 24U327

FN	Part No.	Description	Qty	FN	Part No.	Description	Qty
1	16U773	BRACKET, mount, pump, paint	1	43	15G503	STOP, valve, hydraulic motor	1
4	111802	SCREW, cap, hex hd	2	44	15D256	SCREW, cap, sch	2
5	109570	WASHER, plain	2	45	101947	BALL, bearing	2
6*	116084	PACKING, o-ring	2	46	15G270	YOKE, arm, hydraulic motor	2
7*	287869	KIT, repair, cylinder, hydraulic (4GPM)	1	48	105270	SCREW, shoulder, sch	4
8*	15G559	HOUSING, hydraulic motor, lower	1	53	287870	KIT, repair, packing, hydraulic, includes 6	1
9	16U336	ROD, tie	3	53a		BEARING, piston	1
10	101712	NUT, lock	3	53b		O-RING, piston	1
11*	287868	KIT, repair, piston/rod, hydraulic	1	53c		SEAL, piston, hydraulic motor	1
12	16U937	FITTING, tee, NPT, 1 X 3/4 X 3/8	1	53d		SEAL, rod	1
13	157785	FITTING, swivel	1	53e		BEARING, rod	1
14	245143	VALVE, pressure, bleed	1	53f		WIPER, rod	1
21*	120138	SCREW, cap, socket head	3	91	120146	SRPING, compression	1
23	L220C1	LOWER, xtreme, 220, NF, xseal	1				
24*	120202	SCREW, cap sch	3				
25*	244819	COUPLING, assembly, 145-290 Xtreme	1				
26	197340	COVER, coupler	1				
27	244820	CLIP, hairpin (w/ lanyard)	1				
28	116976	FTITTING, elbow, 90 deg., female	1				
29*	117607	FITTING, elbow, std thd	1				
30*	101970	PLUG, pipe, hdls	1				
31*	117609	FITTING, tee, branch, std thd	1				
32*	120065	FITTING, hydraulic	1				
34*	287841	TUBE, rigid, hydraulic	1				
35	288061	CAP, hydraulic head, includes 38	1				
36*	16U557	LABEL, brand	1				
37*	15G878	LABEL, Graco logo	1				
38*▲	15B063	LABEL, warning, hot surface	1				
39*	120226	SCREW, hed hd, flange	4				
40*▲	15H108	LABEL, pinch point	1				
42	15G501	SLEEVE, valve, hydr, motor	1				

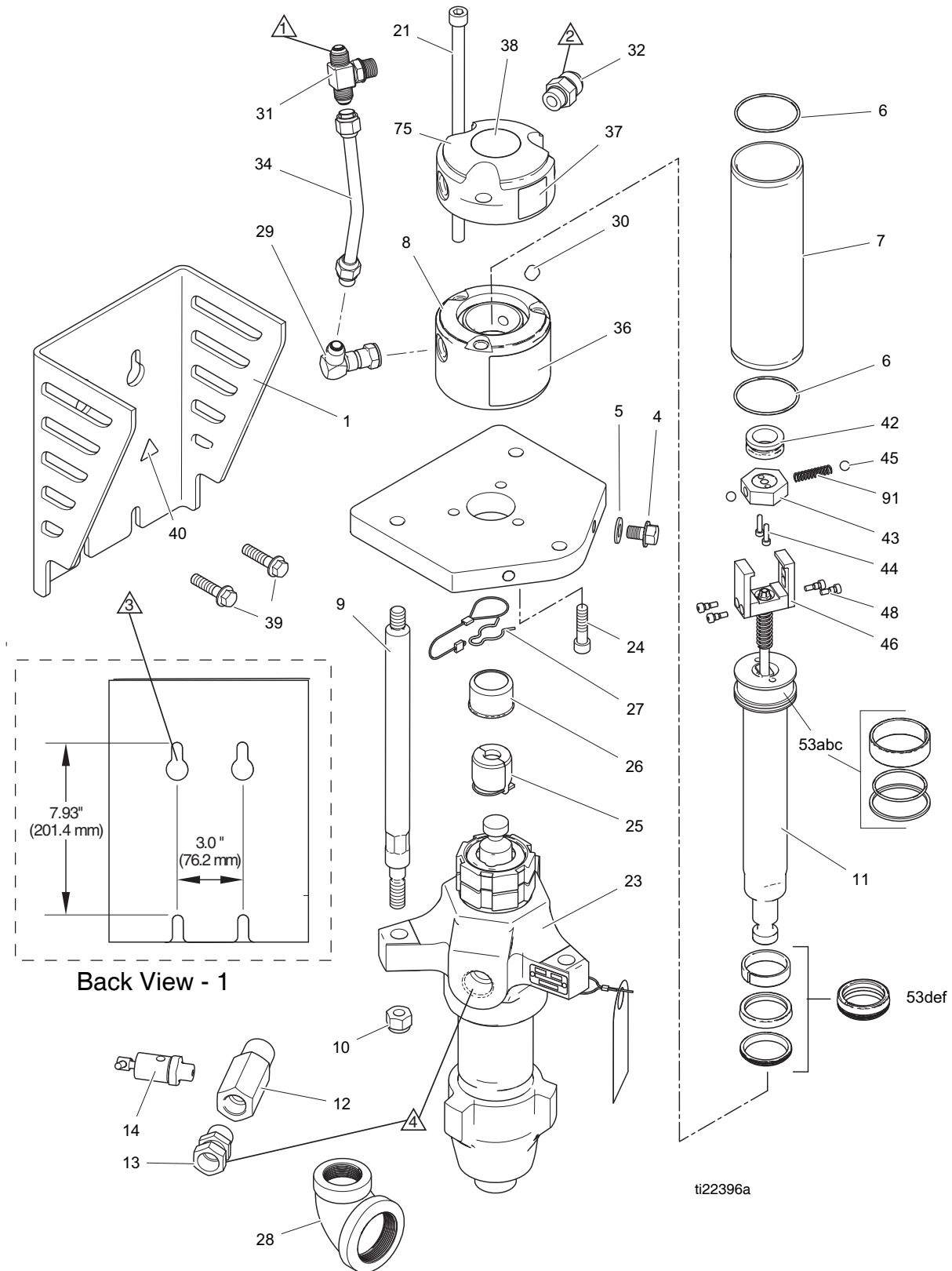
▲ Replacement Danger and Warning labels, tags, and cards are available at no cost.

* Included in Hydraulic Motor Repair Kit 24Y566

Item Description

⚠	HYDRAULIC INLET, 3/4 in. - 16 UNF 2A, 37° flared male
⚠	HYDRAULIC RETURN, 1-1/6 in. - 12 UN 2A, 37° flared male
⚠	MOUNTING SLOT, 4X, 7/16 in. - 14 UNC 2B, flange head, cap screw, 1-3/4 in. long recommended (Graco PN 120226)
⚠	1.0 in. NPT Female
⚠	0.75 in. NPS Female swivel (with fitting as shipped)
⚠	1.25 in. NPT Male

GH733: Part No. 24U326 and GH5040: Part No. 24U327



GH2570: Part No. 24U325

FN	Part No.	Description	Qty	FN	Part No.	Description	Qty
1	16U773	BRACKET, mount, pump, painted	1	42	15G501	SLEEVE, valve, hydr, motor	1
4	111802	SCREW, cap, hex hd	2	43	15G503	STOP, valve, hydraulic motor	1
5*	109570	WASHER, plain	2	44	15D256	SCREW, cap, sch	2
6*	116084	PACKING, o-ring	2	45	101947	BALL, bearing	2
7*	287869	KIT, repair, cylinder, hydraulic (4GPM)	1	46	15G270	YOKE, arm, hydraulic motor	2
8*	15G559	HOUSING, hydraulic motor, lower	1	48	105270	SCREW, shoulder, sch	4
9	16U339	ROD, tie	3	49	184278	TOOL, wrench, packing nut	1
10	101712	NUT, lock	3	53	287870	KIT, repair, packing, hydraulic, includes 6	1
11*	287868	KIT, repair, piston/rod, hydraulic	1	53a		BEARING, piston	1
12	111337	FITTING, tee, street	1	53b		O-RING, piston	1
13	157785	FITTING, swivel	1	53c		SEAL, piston, hydraulic motor	1
14	224441	VALVE, ball	1	53d		SEAL, rod	1
15	100505	BUSHING, pipe	1	53e		BEARING, rod	1
16	156172	FITTING, union, swivel	1	53f		WIPER, rod	1
17	184470	FITTING, outlet	1	91	120146	SPRING, compression	1
21*	120138	SCREW, cap, socket head	3				
22	184096	NUT, coupling	1				
23	222796	PUMP, recip, displ (18cm-cstl)	1				
24*	120202	SCREW, cap sch	3				
25	184130	COLLAR, coupling	2				
26	16U420	COUPLER, rod, pump	1				
27	16U421	COLLAR, coupling, rod, pump	2				
28	100088	ELBOW, street, pipe, 90 de	1				
29*	117607	FITTING, elbow std thd	1				
30*	101970	PLUG, pipe, hdls	1				
31*	117609	FITTING, tee, branch, str thd	1				
32*	120065	FITTING, hydraulic	1				
33	109213	PACKING, o-ring	1				
34*	287841	TUBE, rigid, hydraulic	1				
35	288061	CAP, hydraulic head, includes 38	1				
36*	16U557	LABEL, brand	1				
37*	15G878	LABEL, Graco logo	1				
38*▲	15B063	LABEL, warning, hot surface	1				
39*	120226	SCREW, hex hd, flange	4				
40*▲	15H108	LABEL, pinch point	1				

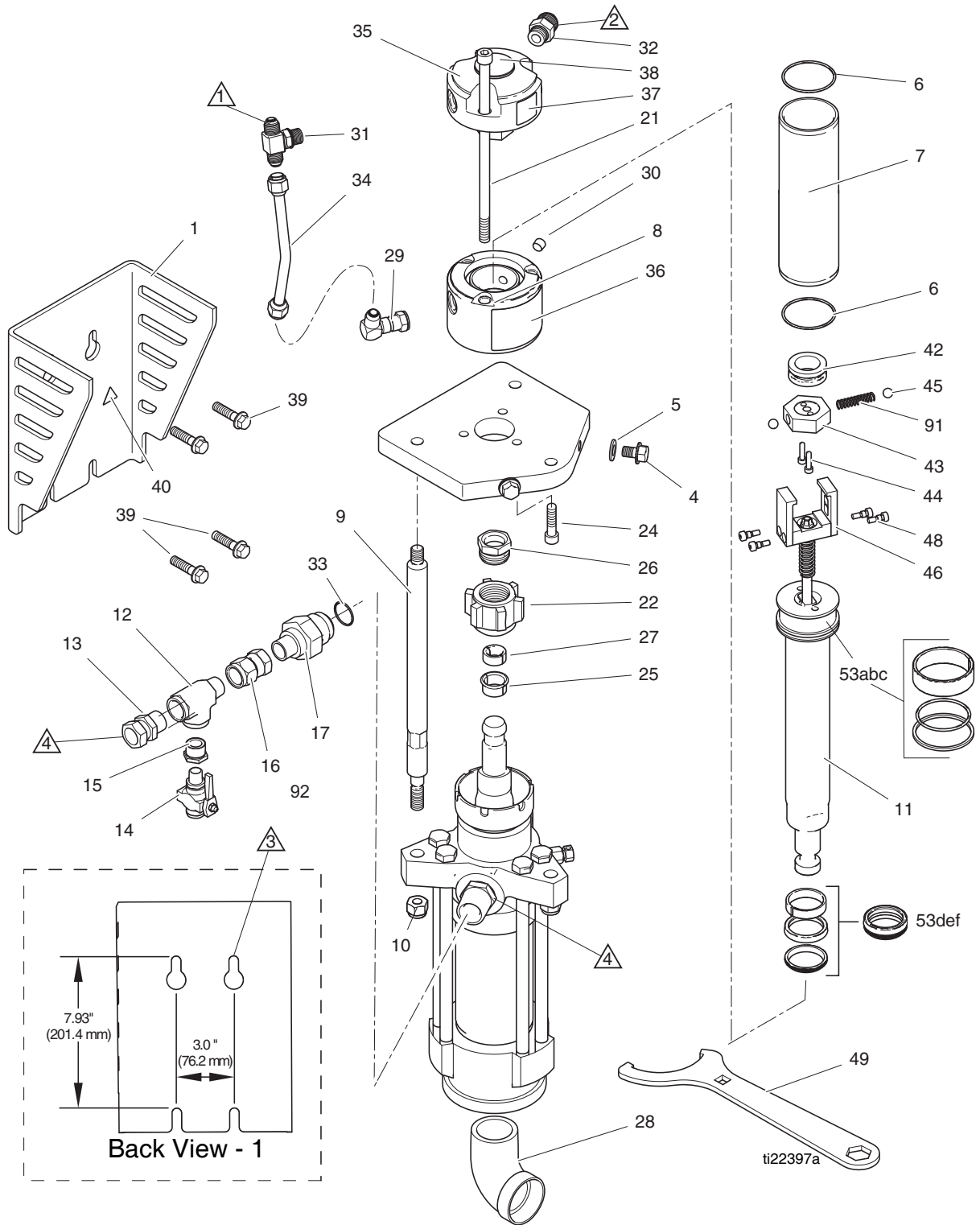
▲ Replacement Danger and Warning labels, tags, and cards are available at no cost.

* Included in Hydraulic Motor Repair Kit 24Y566

Item Description

①	HYDRAULIC INLET, 3/4 in. - 16 UNF 2A, 37° flared male
②	HYDRAULIC RETURN, 1-1/6 in. - 12 UN 2A, 37° flared male
③	MOUNTING SLOT, 4X, 7/16 in. - 14 UNC 2B, flange head, cap screw, 1-3/4 in. long recommended (Graco PN 120226)
④	1.5 in. NPT Male 0.75 in. NPS Female swivel (with fitting as shipped)
⑤	2.0 in. NPT Female

GH2570: Part No. 24U325



GH933: Part No. 24U328

FN	Part No.	Description	Qty	FN	Part No.	Description	Qty
1	16U773	BRACKET, mount, pump, painted	1	44	15D256	SCREW, cap, sch	2
2*	116554	WASHER, flat	1	45	101947	BALL, bearing	2
3*	C20019	SCREW, cap socket head	1	46	15G270	YOKE, arm, hydraulic motor	2
4	111802	SCREW, cap, hex hd	2	48	105270	SCREW, shoulder, sch	4
5	109570	WASHER, plain	2	53	287870	KIT, repair, packing, hydraulic,	1
6*	116084	PACKING, o-ring	2			includes 6	
7*	287869	KIT, repair, cylinder, hydraulic (4GPM)	1	53a		BEARING, piston	1
8*	15G559	HOUSING, hydraulic motor, lower	1	53b		O-RING, piston	1
9	16U336	ROD, tie	3	53c		SEAL, piston, hydraulic motor	1
10	101712	NUT, lock	3	53d		SEAL, rod	1
11*	287868	KIT, repair, piston/rod, hydraulic	1	53e		BEARING, rod	1
21*	120138	SCREW, cap, socket head	3	53f		WIPER, rod	1
23	L145C2	LOWER, xtreme, 145, w/ filter, xseal	1	91	120146	SPRING, compression	1
24*	120202	SCREW, cap sch	3				
25*	244819	COUPLING, assembly, 145-290 xtreme	1				
26*	197340	COVER, coupler	1				
27	244820	CLIP, hairpin (w/ lanyard)	1				
28	116401	ADAPTER, elbow	1				
29*	117607	FITTING, elbow std thd	1				
30*	101970	PLUG, pipe, hdls	1				
31*	117609	FITTING, tee, branch, str thd	1				
32*	120065	FITTING, hydraulic	1				
34*	287841	TUBE, rigid, hydraulic	1				
35	288061	CAP. hydraulic head, includes 38	1				
36*	16U557	LABEL, brand	1				
37*	15G878	LABEL, Graco logo	1				
38*▲	15B063	LABEL, warning, hot surface	1				
39*	120226	SCREW, hex hd, flange	4				
40*▲	15H108	LABEL, pinch point	1				
42	15G501	SLEEVE, valve, hydr, motor	1				
43	15G503	STOP, valve, hydraulic motor	1				

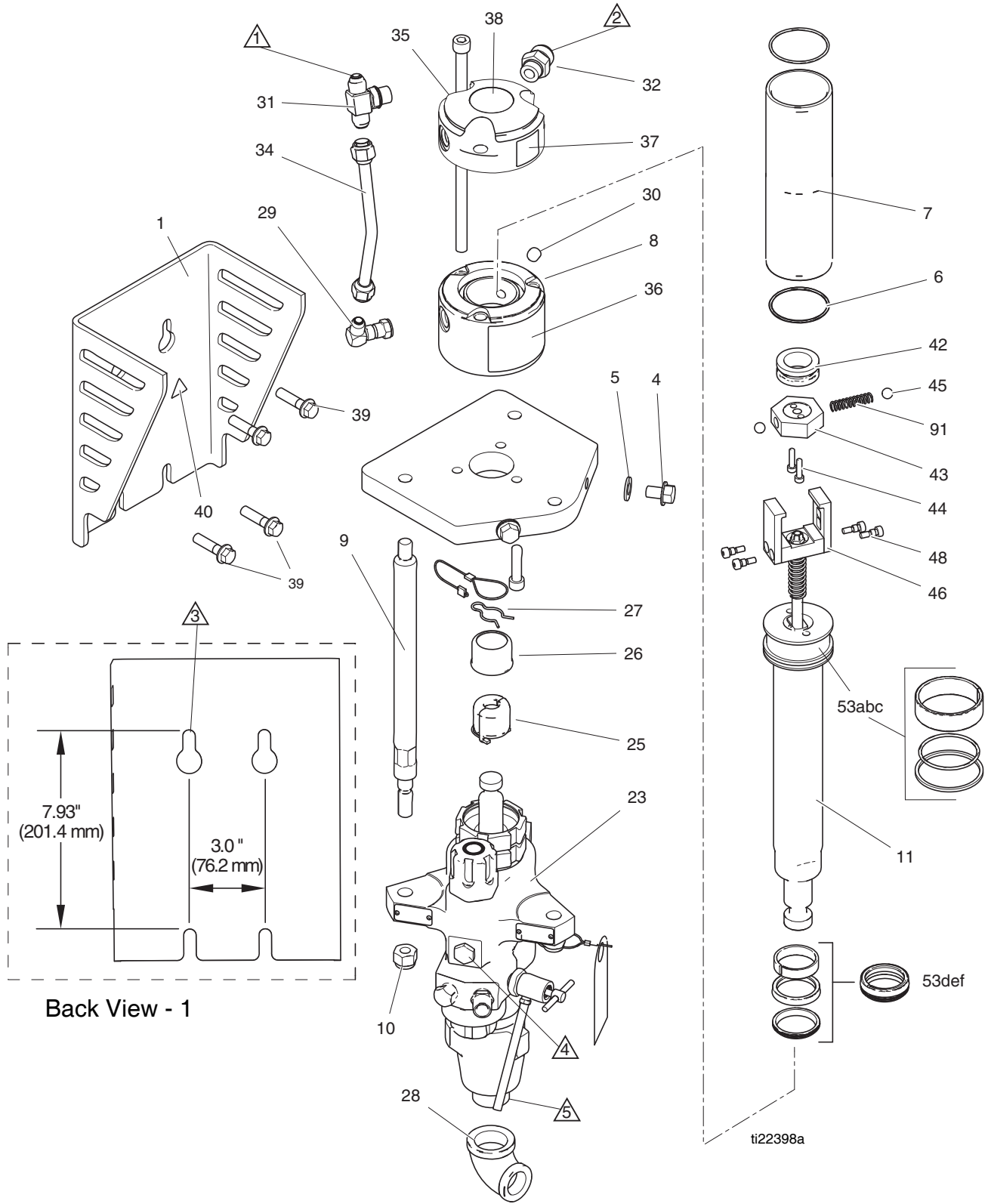
▲ *Replacement Danger and Warning labels, tags, and cards are available at no cost.*

* *Included in Hydraulic Motor Repair Kit 24Y566*

Item Description

- ① HYDRAULIC INLET, 3/4 in. - 16 UNF 2A, 37° flared male
- ② HYDRAULIC RETURN, 1-1/6 in. - 12 UN 2A, 37° flared male
- ③ MOUNTING SLOT, 4X, 7/16 in. - 14 UNC 2B, flange head, cap screw, 1-3/4 in. long recommended (Graco PN 120226)
- ④ 0.5 in. NPT Male
0.5 in. NPS Female Swivel (with fitting as shipped)
- ⑤ 1.25 in. NPT Female

GH933: Part No. 24U328



Technical Data

GH 833: Part No. 249767, 253473

Paint/Hydraulic Ratio	1.45:1
User Supplied Input	
• Max Hydraulic Pressure	2750 PSI (19.0 MPa, 190 bar)
• Hydraulic Flow Required	6.25 gpm (23.6 lpm)
Max Cycle Rate	64 cpm
Unit output	
• Max Fluid Pressure	4000 psi (27.6 MPa, 276 bar)
• Max Flow	4 gpm (15.1 lpm)
Dimensions	
Height	39.5 inches (1003 mm)
Width	7.5 inches (190.5 mm)
Depth	5.5 inches (140 mm)
Weight	63 lbs (28.6 kg)

GH733: Part No. 24U326

Paint/Hydraulic Ratio	1.45:1
User Supplied Input	
• Max Hydraulic Pressure	2750 PSI (19.0 MPa, 190 bar)
• Hydraulic Flow Required	6.25 gpm (23.6 lpm)
Max Cycle Rate	64 cpm
Unit output	
• Max Fluid Pressure	4000 psi (27.6 MPa, 276 bar)
• Max Flow	4 gpm (15.1 lpm)
Dimensions	
Height	40 inches (1016 mm)
Width	9.0 inches (229 mm)
Depth	8.8 inches (223.5 mm)
Weight	99 lbs (41.9 kg)

GH5040: Part No. 24U327

Paint/Hydraulic Ratio	1.82:1
User Supplied Input	
• Max Hydraulic Pressure	2750 PSI (19.0 MPa, 190 bar)
• Hydraulic Flow Required	6.25 gpm (23.6 lpm)
Max Cycle Rate	64 cpm
Unit output	
• Max Fluid Pressure	5000 psi (34.5 MPa, 345 bar)
• Max Flow	3.5 gpm (13.2 lpm)
Dimensions	
Height	43.3 inches (1099.8 mm)
Width	9.0 inches (229 mm)
Depth	8.7 inches (221 mm)
Weight	103 lbs (46.7 kg)

GH2570: Part No. 24U325

Paint/Hydraulic Ratio	0.9:1
User Supplied Input	
• Max Hydraulic Pressure	2750 PSI (19.0 MPa, 190 bar)
• Hydraulic Flow Required	6.25 gpm (23.6 lpm)
Max Cycle Rate	64 cpm
Unit output	
• Max Fluid Pressure	2500 psi (17.2 MPa, 172 bar)
• Max Flow	7 gpm (26.5 lpm)
Dimensions	
Height	47.1 inches (1196 mm)
Width	9.0 inches (229 mm)
Depth	8.7 inches (221 mm)
Weight	136 lbs (61.7 kg)

GH933: Part No. 24U328

Paint/Hydraulic Ratio	2.64:1
User Supplied Input	
• Max Hydraulic Pressure	2750 PSI (19.0 MPa, 190 bar)
• Hydraulic Flow Required	6.25 gpm (23.6 lpm)
Max Cycle Rate	64 cpm
Unit output	
• Max Fluid Pressure	7250 psi (50 MPa, 500 bar)
• Max Flow	2.5 gpm (9.5 lpm)
Dimensions	
Height	41.4 inches (1052 mm)
Width	9.17 inches (233 mm)
Depth	9.6 inches (244 mm)
Weight	103 lbs (46.7 kg)

Graco Information

For the latest information about Graco products, visit www.graco.com.

For patent information, see www.graco.com/patents.

TO PLACE AN ORDER, contact your Graco distributor or call 1-800-690-2894 to identify the nearest distributor.

*All written and visual data contained in this document reflects the latest product information available at the time of publication.
Graco reserves the right to make changes at any time without notice.*

For patent information, see www.graco.com/patents.

Original instructions. This manual contains English. MM 311492

Graco Headquarters: Minneapolis

International Offices: Belgium, China, Japan, Korea

GRACO INC. AND SUBSIDIARIES • P.O. BOX 1441 • MINNEAPOLIS MN 55440-1441 • USA

Copyright 2006, Graco Inc. All Graco manufacturing locations are registered to ISO 9001.

www.graco.com

Revised F, September 2015