

## Direct Immersion Kit 287843 for GH833, 733ES, 833ES, 933, 933ES, 5040ES

311493E  
EN




- For installation of tower/bracket -



### IMPORTANT SAFETY INSTRUCTIONS


Read all warnings and instructions in this manual. Save these instructions.

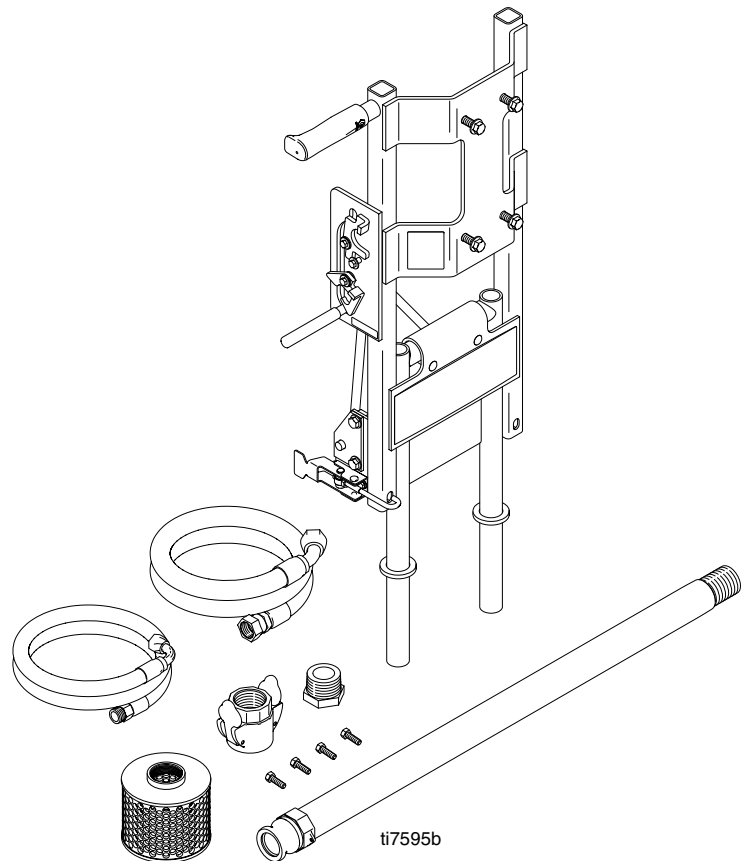
**GH833 Models:** Refer to operation manual below.  
Before attempting to install kit,  
follow **Pressure Relief Procedure**

	311279
	311283
	311484

### GH733ES, 933ES, and 5040ES Models:

Refer to operation manual below. Before attempting  
to install kit, follow **Pressure Relief Procedure**

	332156
	332157
	332158



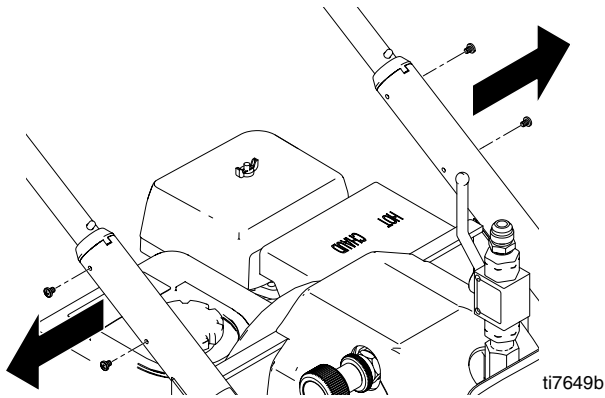
## Fixed Mounting (optional)

To prevent damaging the unit when transporting it in a truck or on a trailer, Graco recommends fixed mounting to the vehicle.

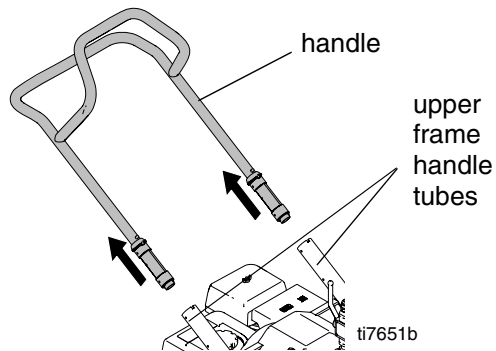
### Repositioning Handle

Before you can secure the unit to a truck or trailer bed, you must reposition the handle.

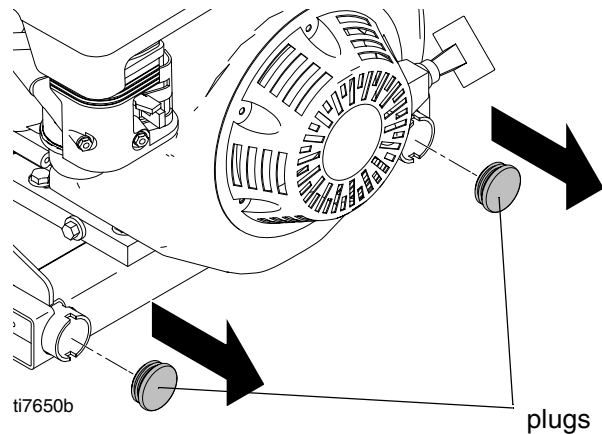
1. Remove four handle sleeve screws.



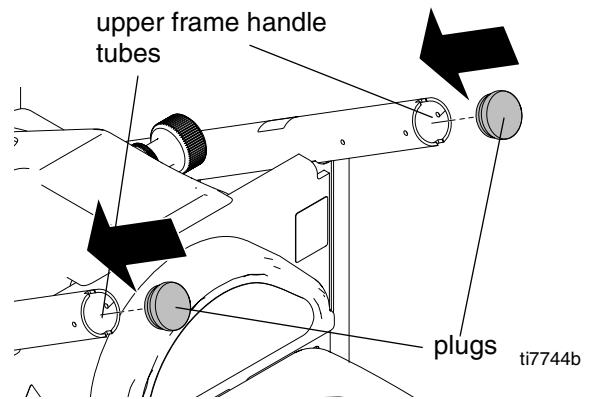
2. Pull handle out of upper frame handle tubes and remove.



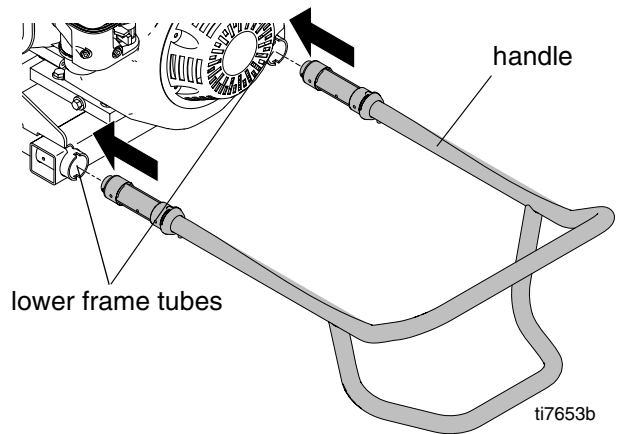
3. Remove two frame tube plugs located behind wheels.



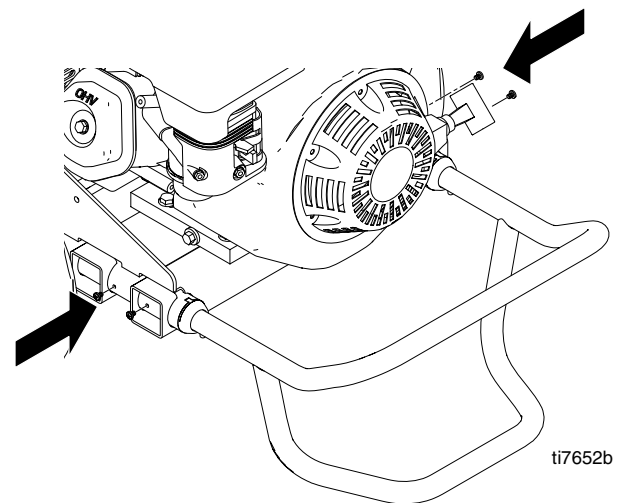
4. Insert plugs in upper frame handle tubes.



5. Insert handle into lower frame tubes. Face hose bracket down. Adjust to appropriate in/out location.





6. Install four sleeve screws in lower frame tubes.

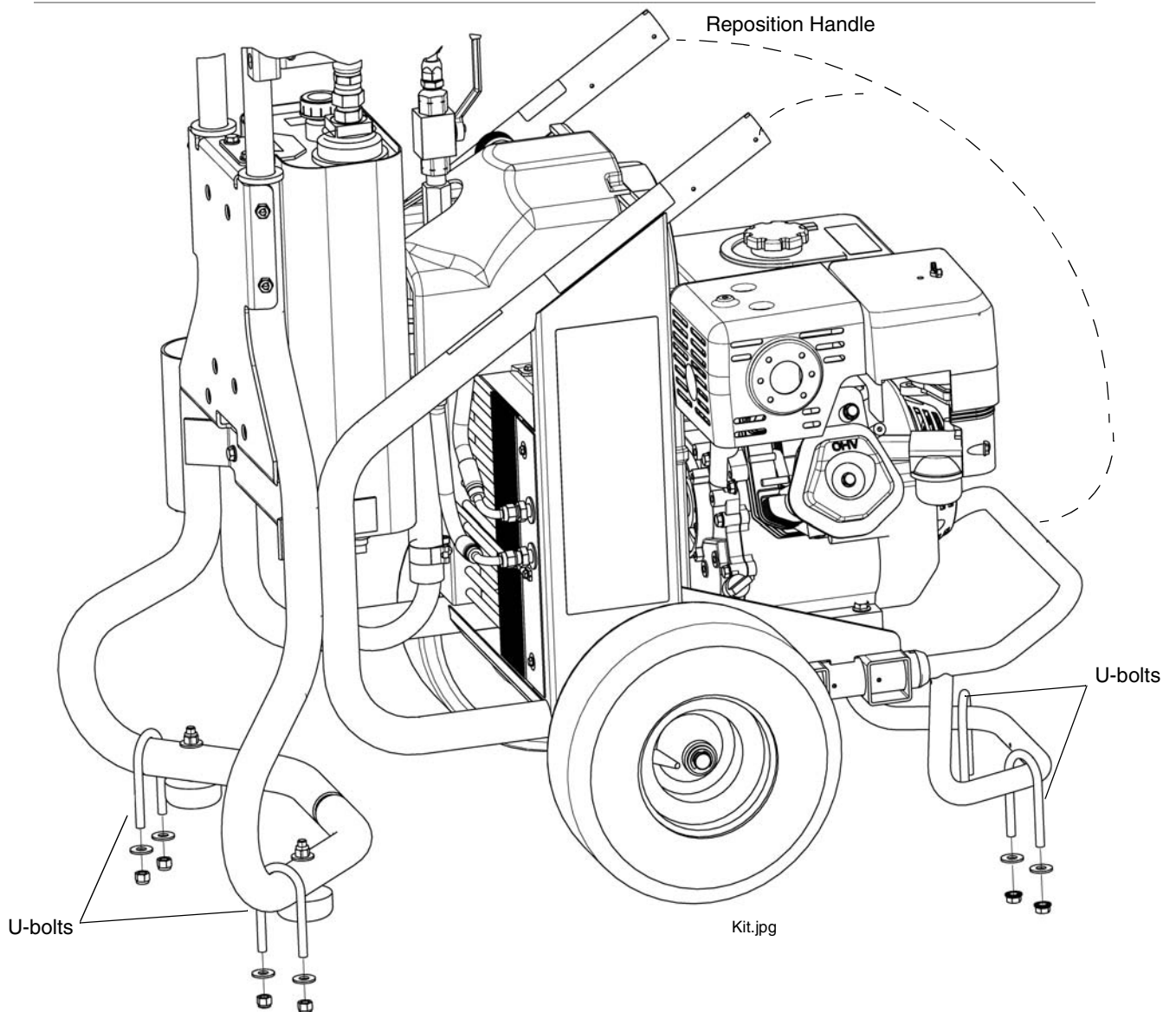


## Securing Unit to Vehicle Bed

For fixed mounting, fasten U-bolts over sprayer frame as indicated in the following illustration.

						
<p>Sprayer is a heavy piece of equipment. To avoid bodily injury that could result from equipment moving when transporting, secure sprayer to vehicle.</p>						

1. Reposition handle, steps 1-5, page 2.
2. Place U-bolts over sprayer frame and through holes in vehicle bed. Place a washer and nut over bolt end. Tighten nut securely.



# General Information

## Pressure Relief Procedure



1. Engage trigger lock.
2. Set pump valve OFF.
3. Turn engine OFF.

4. Turn pressure to lowest setting.
5. Trigger gun to relieve pressure.
6. Turn Prime valve down.

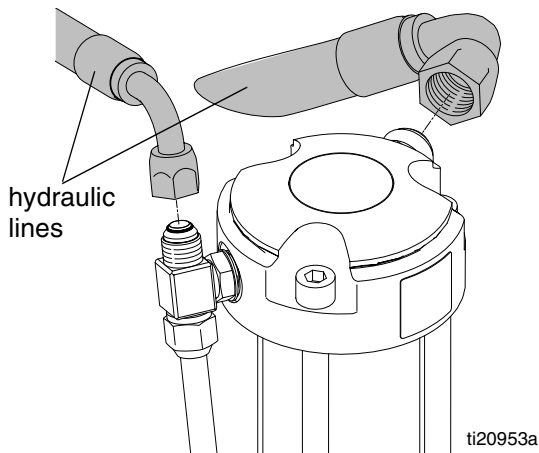
## Trigger Lock

Engage trigger lock when you stop spraying to prevent gun from being accidentally triggered by hand or if dropped or bumped.

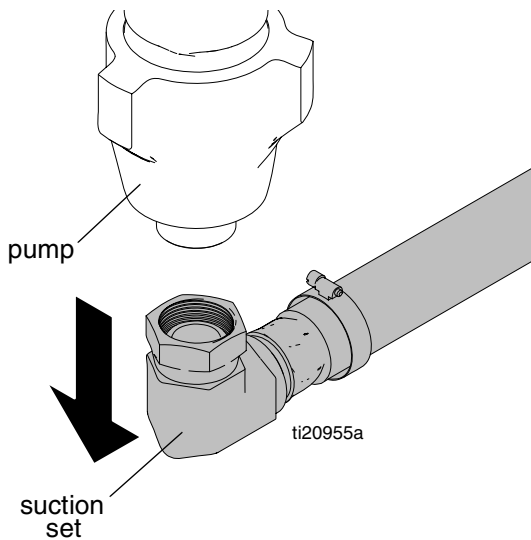
# Removing Hydraulic Head and Pump

<b>BURN HAZARD</b>						
Equipment surfaces and fluid that's heated can become very hot during operation. To avoid severe burns, do not touch hot fluid or equipment. Wait until equipment/fluid has cooled completely.						

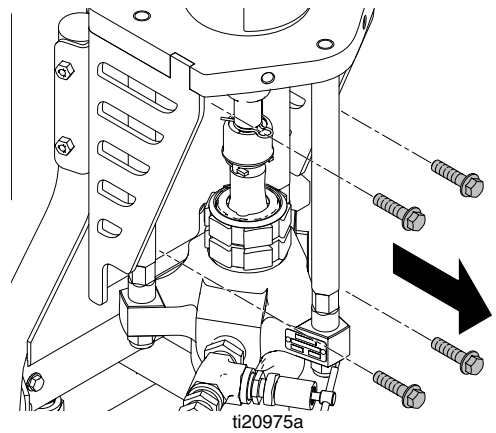
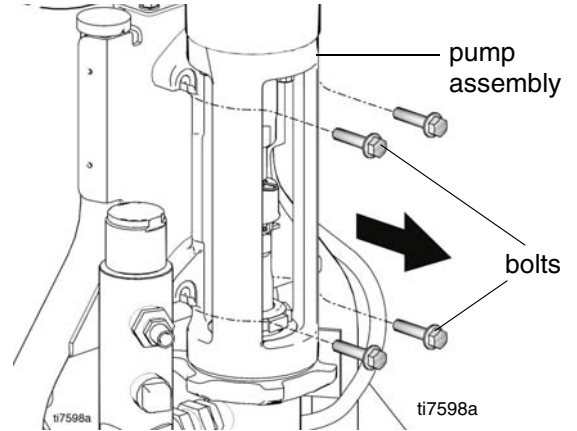
1. Follow **Pressure Relief Procedure**, page 4.
2. Allow unit to cool.
3. Remove two hydraulic lines from head and body.



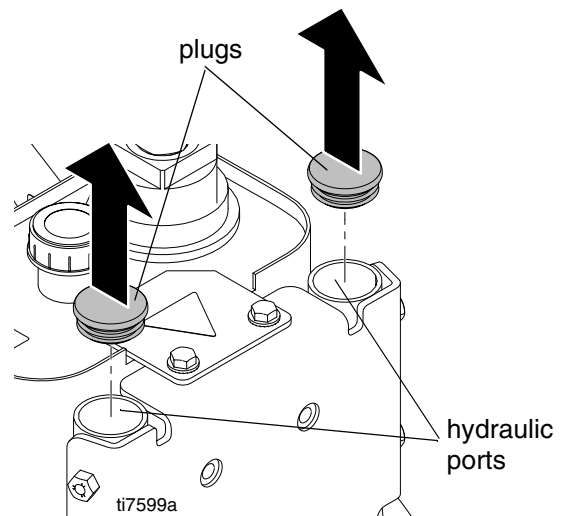
4. Remove suction set from pump.



5. Remove four mounting bolts on pump assembly and set assembly out of the way.

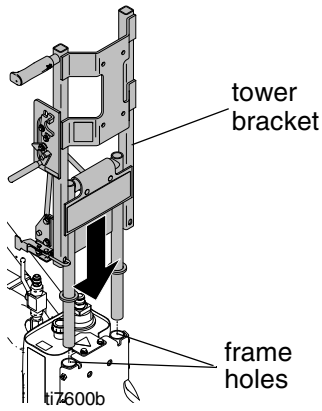


6. Remove two black plugs.  
**NOTE:** Protect open hydraulic ports from debris and contamination.

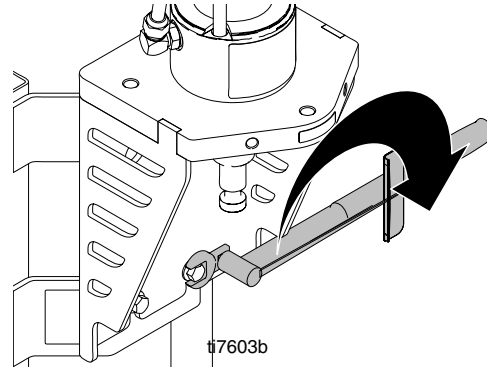


# Installing Direct Immersion Kit

1. Install tower/bracket into frame holes.

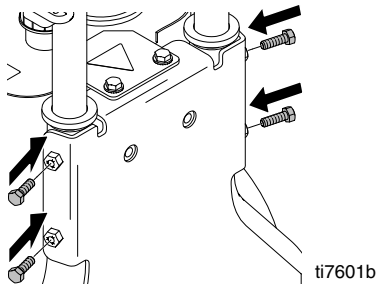


5. Torque bolts to 400 +/- 10 in-lb (33.3 ft-lb).

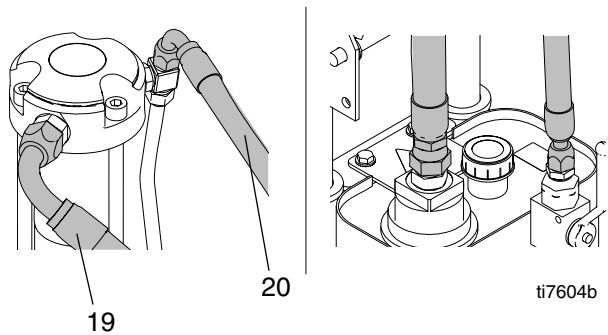


<p>Pumping motion could result in bracket pulling out of frame and cause serious injury. Always insert and torque screws securely to insure this does not occur.</p>							

2. Install four retaining screws in frame to hold tower/bracket in place. Torque to 165 +/- 10 in-lb (13.8 ft-lb).

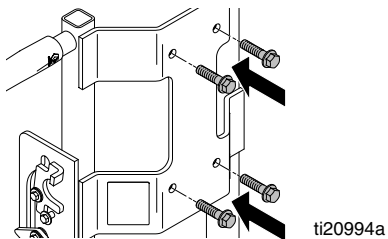


6. Install new, longer hydraulic lines (19, 20) from kit.

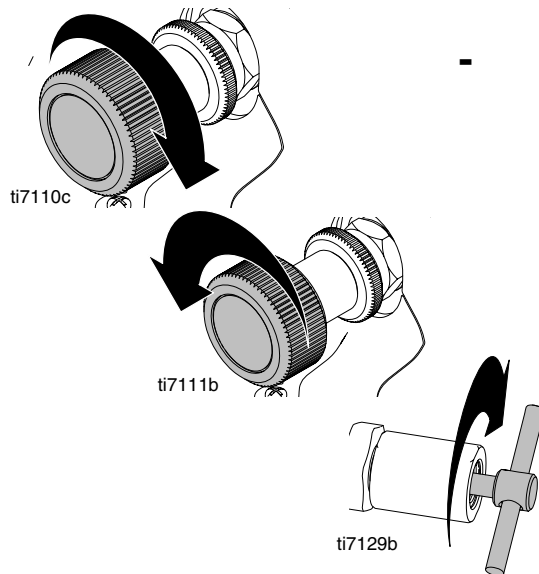
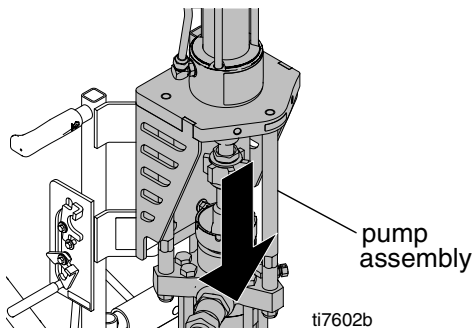


7. To purge air from hydraulic lines, increase pressure enough to start hydraulic motor stroking and allow fluid to circulate for 15 seconds. Turn pressure down, turn Prime valve horizontal (off).



3. Install four bolts onto immersion kit.



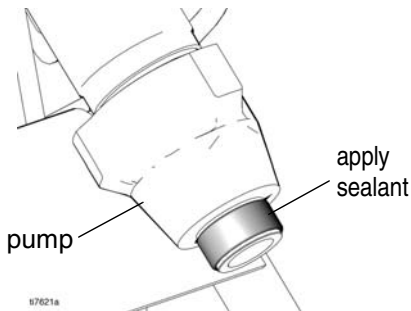
4. Install pump assembly over four frame bolts.



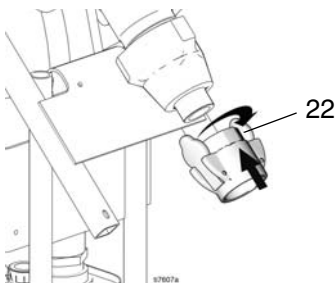
# Using Direct Immersion

						
<p><b>MOVING PARTS HAZARD</b></p> <p>Moving parts can pinch or amputate fingers and other body parts.</p> <ul style="list-style-type: none"> <li>• Keep clear of moving parts.</li> <li>• Do not operate equipment with protective guards or covers removed.</li> <li>• Pressurized equipment can start without warning. Before checking, moving, or servicing equipment, follow the <b>Pressure Relief Procedure</b> in this manual. Disconnect power or air supply.</li> </ul>						

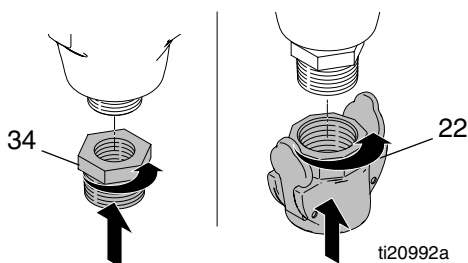
1. Apply pipe thread sealant 119400 over male threads on pump.



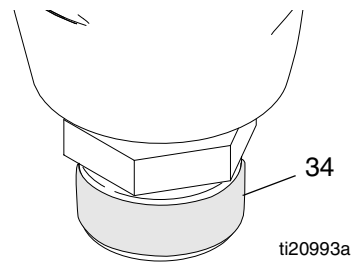
2. **GH833, 833ES Models Only:** Attach female hose adapter (22) over male threads on pump. Tighten securely.



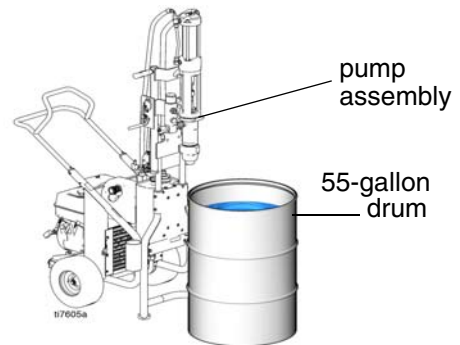
3. **733ES, 933, 933ES, 5040ES Models Only:** Add bushing (34) to male threads of pump, then add female hose adapter (22).



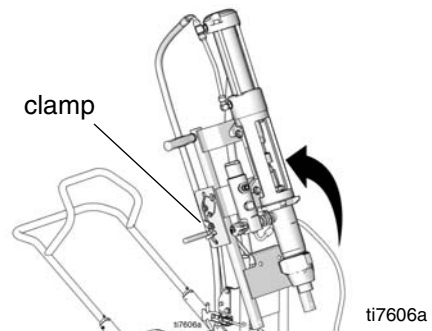
4. Apply pipe sealant to bushing (34).



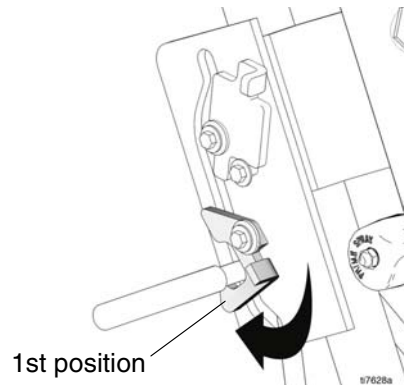
5. Position 55-gallon drum under pump assembly.



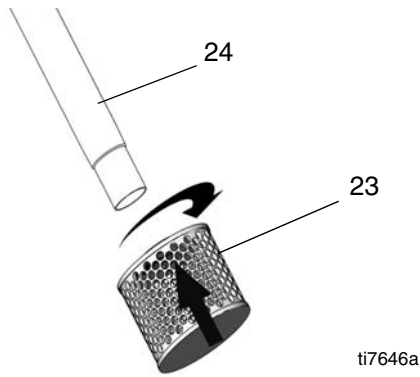
6. Unclamp and tilt tower/bracket back to 1st position.



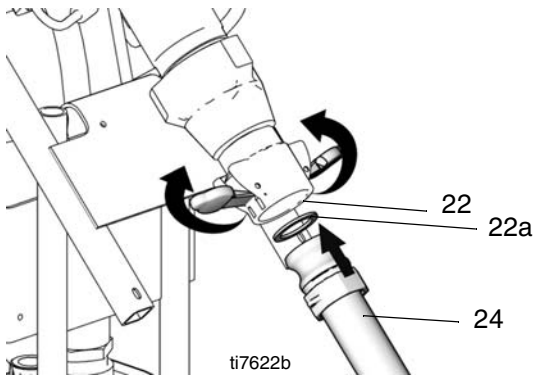
7. Lock clamp into 1st position.



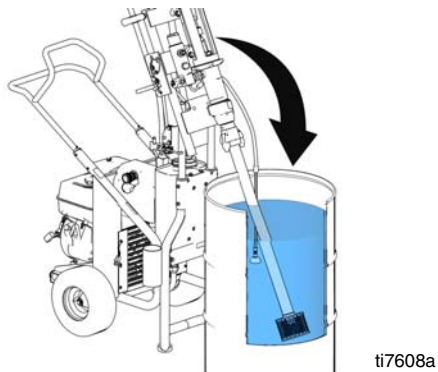
8. Install strainer (23) to bottom of intake tube (24).



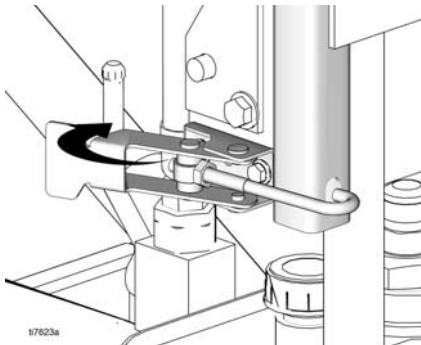
9. Install intake tube (24). Lock female hose adapter (22) to hold intake tube securely in place. Verify hose adapter gasket (22a) is in place.



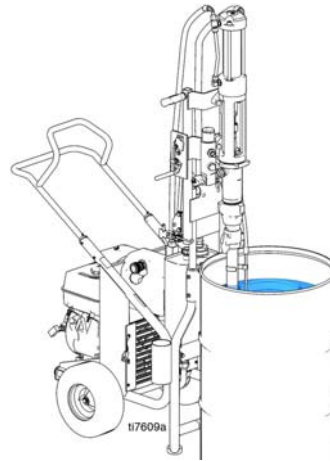
10. Lower intake tube into 55-gallon drum.



11. Lock tower/bracket in place.

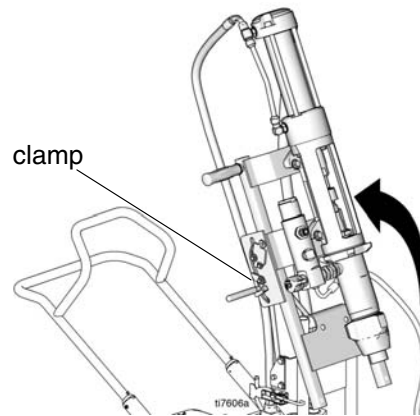


12. Ready to use.

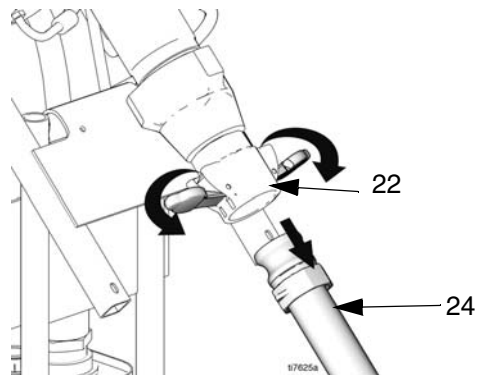


### Changing Drums

1. Tilt tower/bracket back and clamp securely in 1st position.

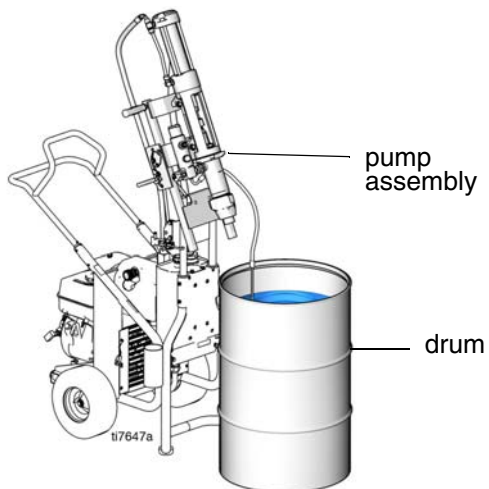


2. Unlock female hose adapter (22) and remove intake tube (24).

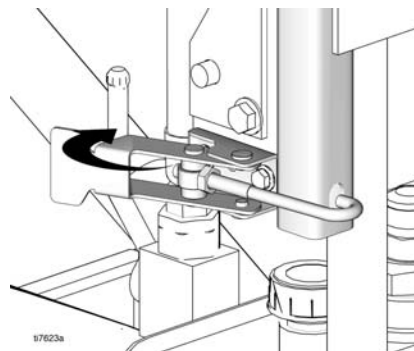




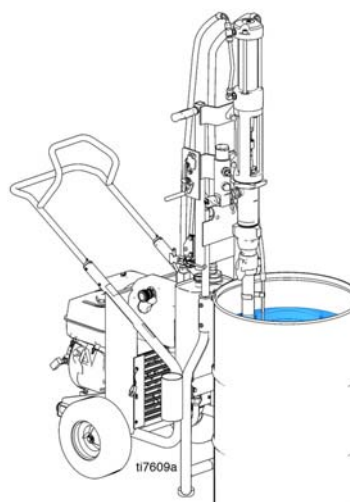
3. Move sprayer/tower/bracket (unit) and align new drum under pump assembly.



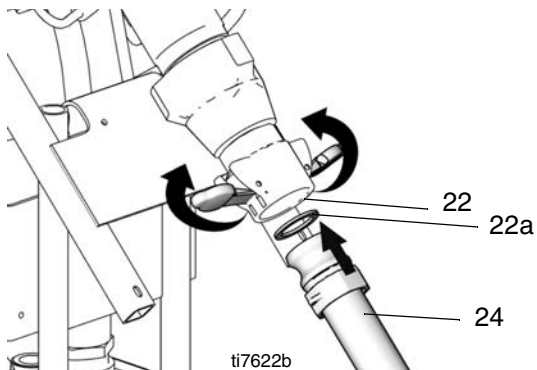
6. Lock tower/bracket in place.



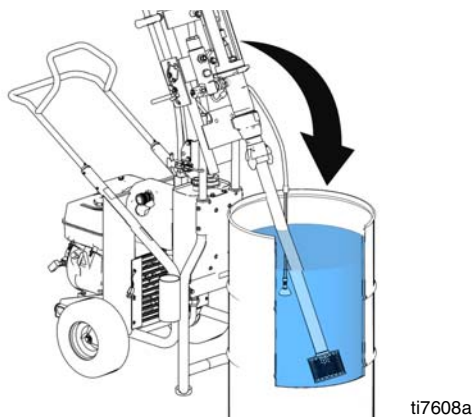
7. Ready to use.



4. Ensure gasket (22a) is in place and install intake tube (24). Lock female hose adapter (22) to hold intake tube securely in place.



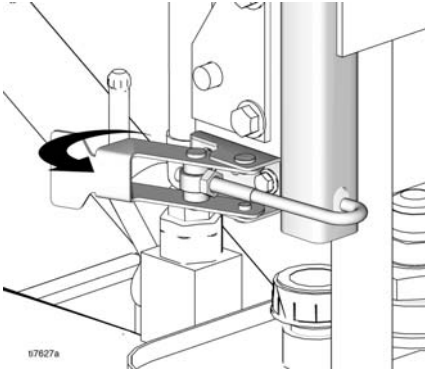
5. Lower intake tube into 55-gallon drum.



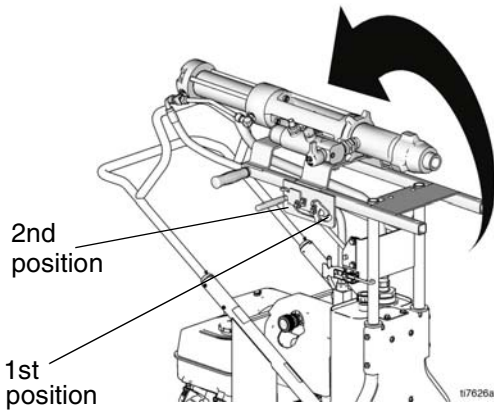
# Transporting Unit

**NOTE:** Do not transport unit with head in vertical position. When transporting unit securely tie down in vehicle or follow instructions for fixed mounting to vehicle, page 2.

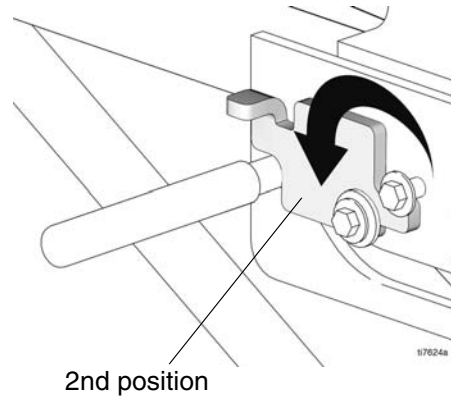
1. Unlock tower/bracket.



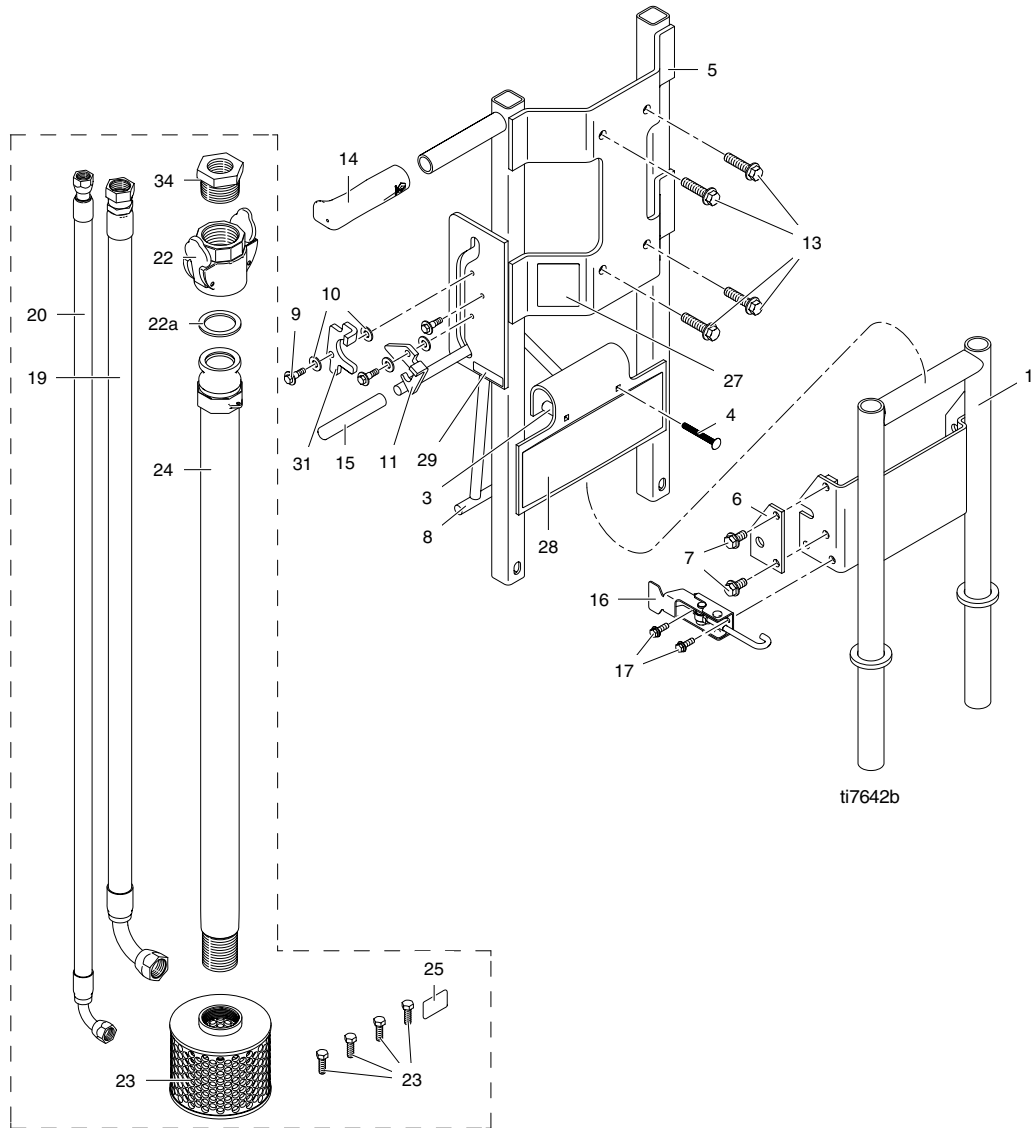
2. Tip tower/bracket back 90° to 2nd position for transporting.



3. Lock in place.



# Parts

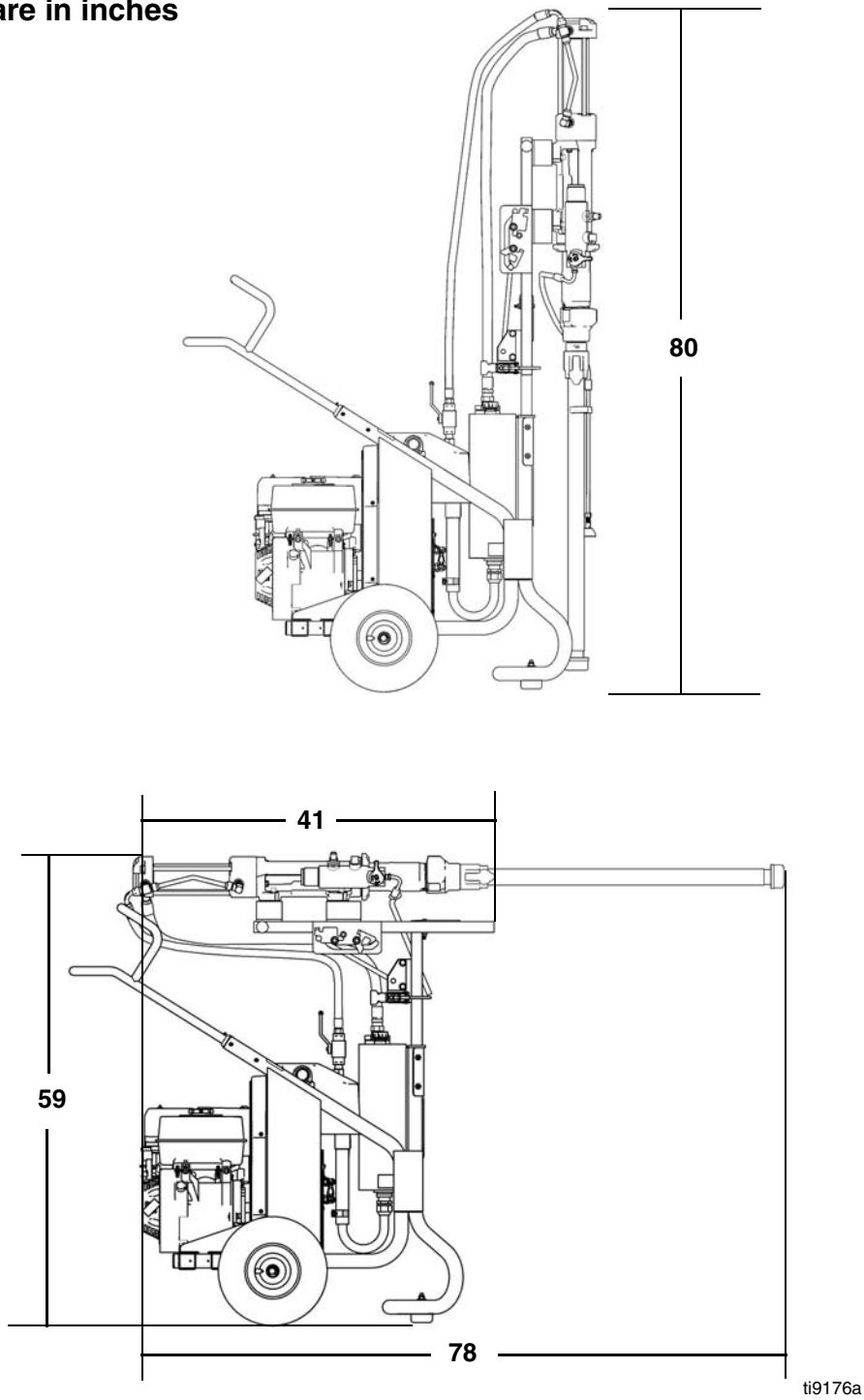


Ref	Part	Description	Qty	Ref	Part	Description	Qty
1	287897	SUPPORT, frame	1	19	15H265	HOSE, coupled	1
2	287896	FRAME, 55 gallon lift	1	20	15H268	HOSE, coupled	1
3	188622	SPACER	2	21	120307	FITTING, hose adapter, male	1
4	116630	SCREW	2	22	120308	FITTING, hose adapter, female; Includes 22a	1
5	102040	NUT, lock, hex	2	22a	120781	GASKET, hose adapter	
6	15H478	PLATE, retainer	1	23	187119	STRAINER	1
7	112395	SCREW, cap, flnghd	2	24	15H254	TUBE, inlet	1
8	288037	BRACE, tilt, back	1	25	119400	SEALANT	1
9	119872	SCREW, shoulder	3	27▲	15H619	LABEL, warning	2
10	120454	WASHER, flat	4	28	15H618	LABEL	1
11	15H496	LATCH, liftkit, lower	1	29	192840	LABEL	1
12	15H495	LATCH, liftkit, upper	1	34	121446	BUSHING (used on 733ES, 933, 933ES, 5040ES)	
13	120226	SCREW, hex hd, flange	4				
14	108063	GRIP, handle	1				
15	114808	CAP, vinyl	1				
16	195550	LATCH, adjustable	1				
17	113796	SCREW, flanged, hex hd	2				
18	114251	SCREW, cap, hex hd	4				

▲ Replacement Warning labels, tags, and cards are available at no cost.

## Dimensions

All dimensions are in inches





# Graco Standard Warranty

Graco warrants all equipment referenced in this document which is manufactured by Graco and bearing its name to be free from defects in material and workmanship on the date of sale to the original purchaser for use. With the exception of any special, extended, or limited warranty published by Graco, Graco will, for a period of twelve months from the date of sale, repair or replace any part of the equipment determined by Graco to be defective. This warranty applies only when the equipment is installed, operated and maintained in accordance with Graco's written recommendations.

This warranty does not cover, and Graco shall not be liable for general wear and tear, or any malfunction, damage or wear caused by faulty installation, misapplication, abrasion, corrosion, inadequate or improper maintenance, negligence, accident, tampering, or substitution of non-Graco component parts. Nor shall Graco be liable for malfunction, damage or wear caused by the incompatibility of Graco equipment with structures, accessories, equipment or materials not supplied by Graco, or the improper design, manufacture, installation, operation or maintenance of structures, accessories, equipment or materials not supplied by Graco.

This warranty is conditioned upon the prepaid return of the equipment claimed to be defective to an authorized Graco distributor for verification of the claimed defect. If the claimed defect is verified, Graco will repair or replace free of charge any defective parts. The equipment will be returned to the original purchaser transportation prepaid. If inspection of the equipment does not disclose any defect in material or workmanship, repairs will be made at a reasonable charge, which charges may include the costs of parts, labor, and transportation.

**THIS WARRANTY IS EXCLUSIVE, AND IS IN LIEU OF ANY OTHER WARRANTIES, EXPRESS OR IMPLIED, INCLUDING BUT NOT LIMITED TO WARRANTY OF MERCHANTABILITY OR WARRANTY OF FITNESS FOR A PARTICULAR PURPOSE.**

Graco's sole obligation and buyer's sole remedy for any breach of warranty shall be as set forth above. The buyer agrees that no other remedy (including, but not limited to, incidental or consequential damages for lost profits, lost sales, injury to person or property, or any other incidental or consequential loss) shall be available. Any action for breach of warranty must be brought within two (2) years of the date of sale.

**GRACO MAKES NO WARRANTY, AND DISCLAIMS ALL IMPLIED WARRANTIES OF MERCHANTABILITY AND FITNESS FOR A PARTICULAR PURPOSE, IN CONNECTION WITH ACCESSORIES, EQUIPMENT, MATERIALS OR COMPONENTS SOLD BUT NOT MANUFACTURED BY GRACO.** These items sold, but not manufactured by Graco (such as electric motors, switches, hose, etc.), are subject to the warranty, if any, of their manufacturer. Graco will provide purchaser with reasonable assistance in making any claim for breach of these warranties.

In no event will Graco be liable for indirect, incidental, special or consequential damages resulting from Graco supplying equipment hereunder, or the furnishing, performance, or use of any products or other goods sold hereto, whether due to a breach of contract, breach of warranty, the negligence of Graco, or otherwise.

## **FOR GRACO CANADA CUSTOMERS**

The Parties acknowledge that they have required that the present document, as well as all documents, notices and legal proceedings entered into, given or instituted pursuant hereto or relating directly or indirectly hereto, be drawn up in English. Les parties reconnaissent avoir convenu que la rédaction du présente document sera en Anglais, ainsi que tous documents, avis et procédures judiciaires exécutés, donnés ou intentés, à la suite de ou en rapport, directement ou indirectement, avec les procédures concernées.

# Graco Information

For the latest information about Graco products, visit [www.graco.com](http://www.graco.com).

**TO PLACE AN ORDER**, contact your Graco distributor or call 1-800-690-2894 to identify the nearest distributor.

*All written and visual data contained in this document reflects the latest product information available at the time of publication.  
Graco reserves the right to make changes at any time without notice.*

*For patent information, see [www.graco.com/patents](http://www.graco.com/patents).*

Original instructions. This manual contains English. MM 311493

**Graco Headquarters:** Minneapolis  
**International Offices:** Belgium, China, Japan, Korea

**GRACO INC. AND SUBSIDIARIES • P.O. BOX 1441 • MINNEAPOLIS MN 55440-1441 • USA**

**Copyright 2012, Graco Inc. All Graco manufacturing locations are registered to ISO 9001.**

[www.graco.com](http://www.graco.com)

Revised January 2013