

# GTX™ 2000EX

313384B

**- For Water-Based Materials Only -**

## Model 257030

Sprayer with Graco Trigger Gun

*120 psi (8.27 bar) Maximum Working Air Pressure*  
*120 psi (8.27 bar) Maximum Working Fluid Pressure*

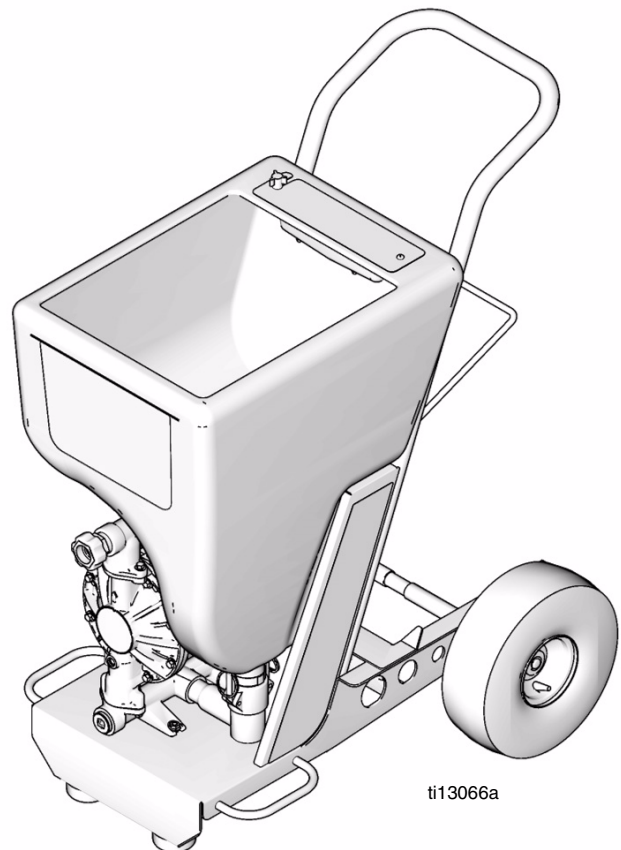


### Important Safety Instructions

Read all warnings and instructions in this manual.  
Save these instructions.





### Related Manuals:



**Pump** 308479  
**Gun** 310616  
**Repair** 313385



# Warnings

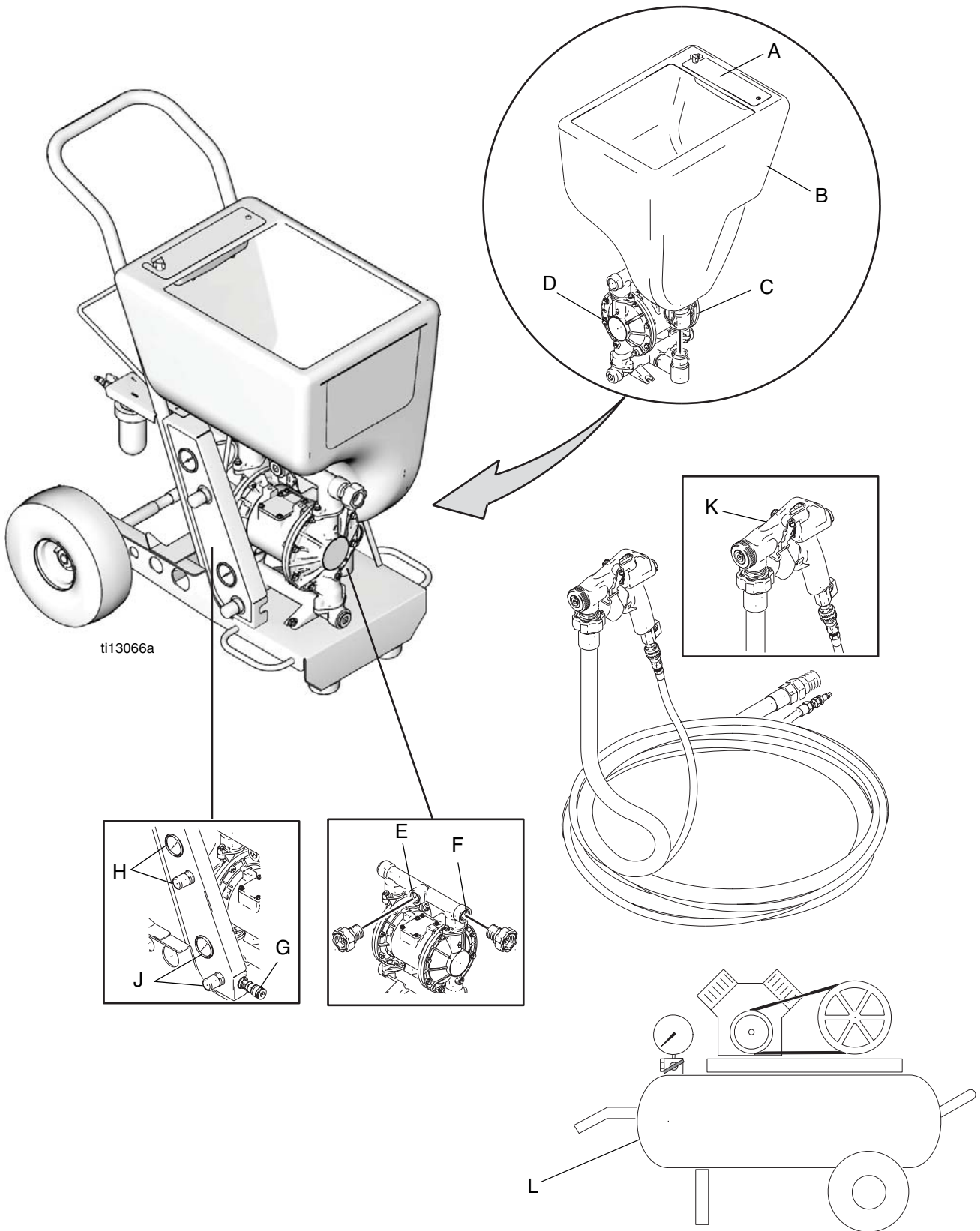
The following warnings are for the setup, use, grounding, maintenance, and repair of this equipment. The exclamation point symbol alerts you to a general warning and the hazard symbol refers to procedure-specific risk. Refer back to these warnings. Additional, product-specific warnings may be found throughout the body of this manual where applicable.

 <b>WARNING</b>	
	<p><b>FIRE AND EXPLOSION HAZARD</b></p> <p>Flammable fumes, such as solvent and paint fumes, in <b>work area</b> can ignite or explode. To help prevent fire and explosion:</p> <ul style="list-style-type: none"> <li>• Use equipment only in well ventilated area.</li> <li>• Eliminate all ignition sources; such as pilot lights, cigarettes, portable electric lamps, and plastic drop cloths (potential static arc).</li> <li>• Keep work area free of debris, including solvent, rags and gasoline.</li> <li>• Do not plug or unplug power cords, or turn power or light switches on or off when flammable fumes are present.</li> <li>• Ground all equipment in the work area. See <b>Grounding</b> instructions.</li> <li>• Use only grounded hoses.</li> <li>• Hold gun firmly to side of grounded pail when triggering into pail.</li> <li>• If there is static sparking or you feel a shock, <b>stop operation immediately</b>. Do not use equipment until you identify and correct the problem.</li> <li>• Keep a working fire extinguisher in the work area.</li> </ul>
	<p><b>EQUIPMENT MISUSE HAZARD</b></p> <p>Misuse can cause death or serious injury.</p> <ul style="list-style-type: none"> <li>• Do not operate the unit when fatigued or under the influence of drugs or alcohol.</li> <li>• Do not exceed the maximum working pressure or temperature rating of the lowest rated system component. See <b>Technical Data</b> in all equipment manuals.</li> <li>• Use fluids and solvents that are compatible with equipment wetted parts. See <b>Technical Data</b> in all equipment manuals. Read fluid and solvent manufacturer's warnings. For complete information about your material, request MSDS forms from distributor or retailer.</li> <li>• Check equipment daily. Repair or replace worn or damaged parts immediately with genuine manufacturer's replacement parts only.</li> <li>• Do not alter or modify equipment.</li> <li>• Use equipment only for its intended purpose. Call your distributor for information.</li> <li>• Route hoses and cables away from traffic areas, sharp edges, moving parts, and hot surfaces.</li> <li>• Do not kink or over bend hoses or use hoses to pull equipment.</li> <li>• Keep children and animals away from work area.</li> <li>• Comply with all applicable safety regulations.</li> </ul>
	<p><b>PRESSURIZED EQUIPMENT HAZARD</b></p> <p>Fluid from the gun/dispense valve, leaks, or ruptured components can splash in the eyes or on skin and cause serious injury.</p> <ul style="list-style-type: none"> <li>• Follow <b>Pressure Relief Procedure</b> in this manual, when you stop spraying and before cleaning, checking, or servicing equipment.</li> <li>• Tighten all fluid connections before operating the equipment.</li> <li>• Check hoses, tubes, and couplings daily. Replace worn or damaged parts immediately.</li> </ul>

	<p><b>PLASTIC PARTS CLEANING SOLVENT HAZARD</b></p> <p>Use only compatible water-based solvents to clean plastic structural or pressure-containing parts. Many solvents can degrade plastic parts and cause them to fail, which could cause serious injury or property damage. See <b>Technical Data</b> in this and all other equipment instruction manuals. Read fluid and solvent manufacturer's warnings.</p>
	<p><b>PERSONAL PROTECTIVE EQUIPMENT</b></p> <p>You must wear appropriate protective equipment when operating, servicing, or when in the operating area of the equipment to help protect you from serious injury, including eye injury, inhalation of toxic fumes, burns, and hearing loss. This equipment includes but is not limited to:</p> <ul style="list-style-type: none"> <li>• Protective eye wear</li> <li>• Clothing and respirator as recommended by the fluid and solvent manufacturer</li> <li>• Gloves</li> <li>• Hearing protection</li> </ul>

<b>NOTICE</b>	
<p>Water or material remaining in unit when temperatures are below freezing can damage pump and/or delay startup.</p> <p>To insure water and material are completely drained out of unit:</p> <ol style="list-style-type: none"> <li>1. Remove material line from sprayer.</li> <li>2. Tip sprayer to allow material (water) to flow out of pump inlet.</li> </ol> <p>Before adding material or starting unit in cold weather, run warm water through pump.</p>	

# Component Identification



# Component Identification List

A	Nozzle Storage
B	Hopper
C	Hopper Quick Connect
D	Diaphragm Pump
E	Material Outlet Option 1
F	Material Outlet Option 2
G	Gun Air Outlet Quick Connect
H	Material (Pump) Air Pressure Gauge and Control Knob
J	Gun Air Pressure Gauge and Control Knob
K	Gun (see manual 308878)*
L	Air Compressor (not supplied by Graco)

\* Reference numbers used in gun illustrations reflect numbers shown in gun manual 308878.

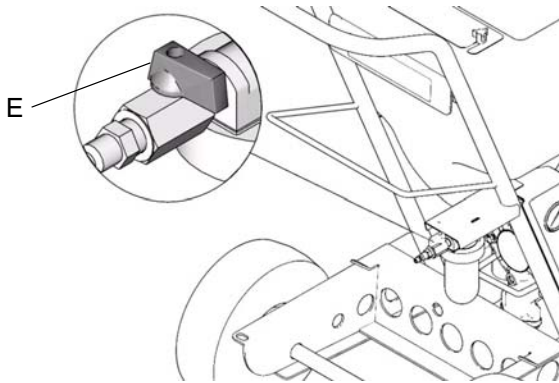
# Pressure Relief Procedure



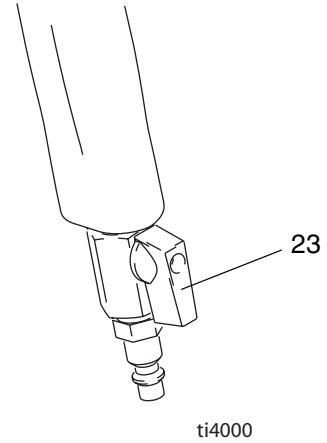
To reduce the risk of injury, follow this Pressure Relief Procedure whenever you:

- Are instructed to relieve pressure
- Stop spraying
- Service equipment
- Install or clean spray nozzle
- Disconnect or connect hose

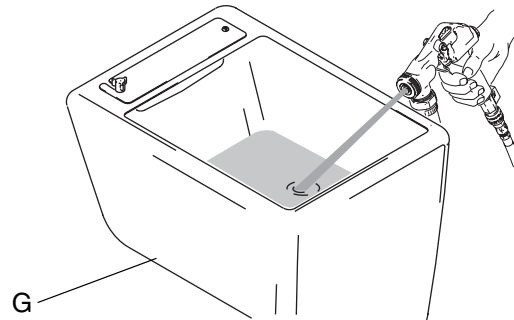
1. Turn OFF air inlet valve (E).



2. Open gun air valve (23).



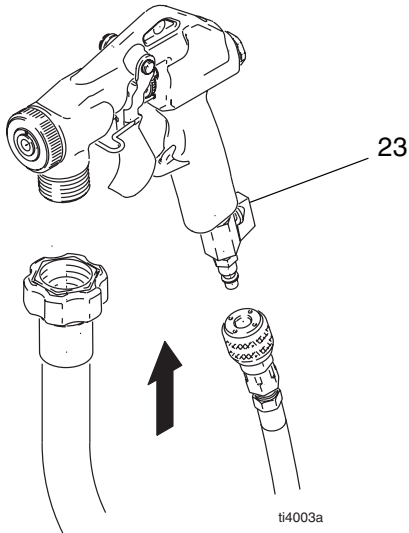
3. Trigger gun. Spray material back into hopper (G).



# Setup

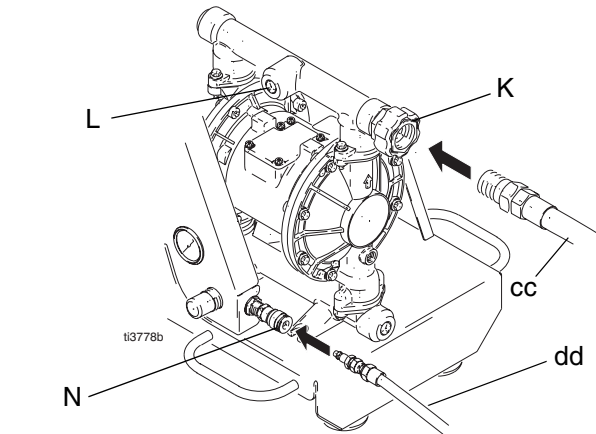
## Preparation

1. Connect air and material hoses to gun. Tighten securely.



2. Connect one end of material hose (cc) to material outlet (K or L) and other end to gun material inlet (bb).

**NOTE:** Material plug must be installed in material outlet (K or L) you are not using.



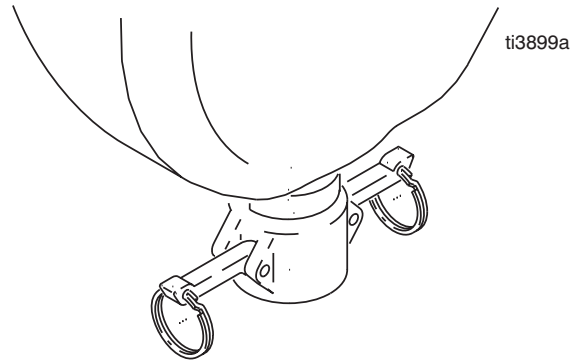
3. Open gun air valve (23).

## Removing and Installing Hopper

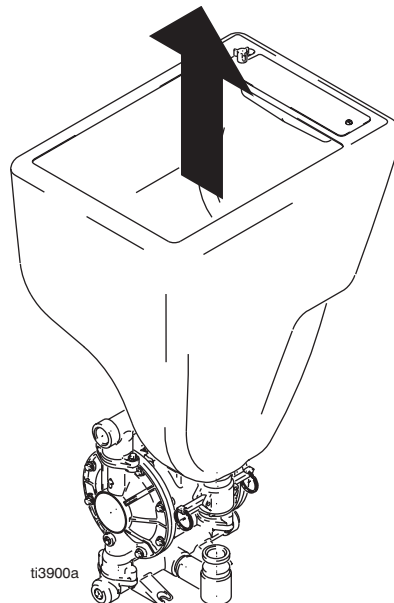
Hopper (G) can be removed from cart for cleaning and when using Siphon Kit 248112 (available from Graco distributor).

### Removing Hopper (G)

1. Push down 2 latches on each side of hopper coupler (H).

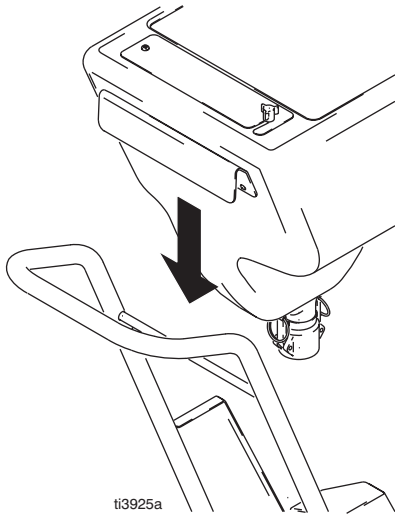


2. Lift hopper (G) straight up off of unit.

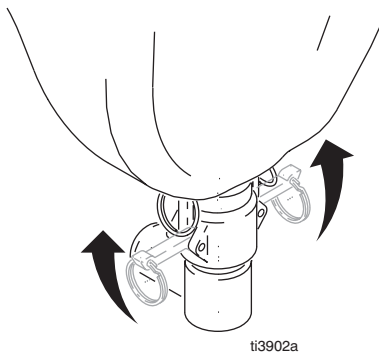


## Installing Hopper (G)

1. Position coupler (H) over material outlet and slide hopper (G) straight down, over fitting as far as it will go. Make sure hopper bracket is positioned over cart handle rod.

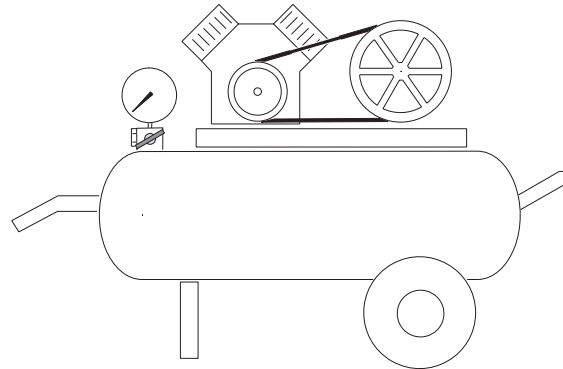


2. Secure latches on each side by pushing them firmly up into locked position.



## Additional Equipment Needed

### Auxiliary Air Compressor (not supplied)

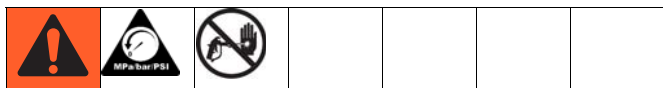


#### Minimum Requirements:

- 12 CFM @ 100 psi (maximum 120 psi)
- 3/8 in. x 25 ft. minimum airline rated at 120 psi

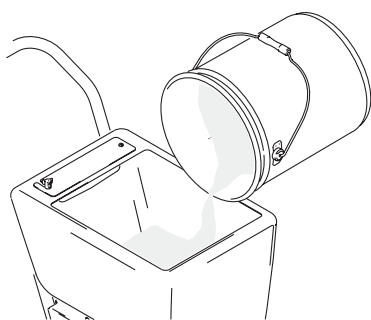


# Wetting Hose

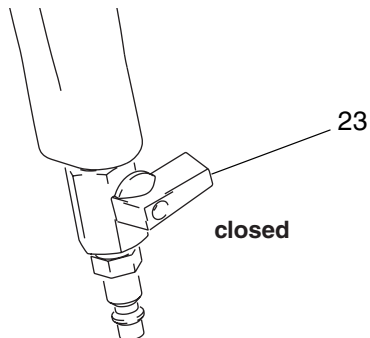


Wet inside of hose before each use to flush out sediment and prevent texture material from packing out hose.

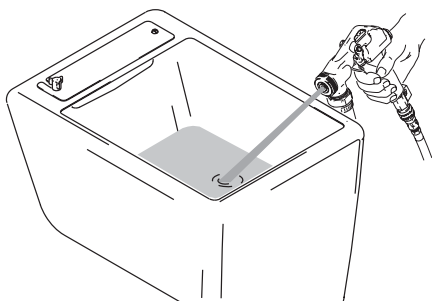
1. Pour one (1) gallon (3.8 liters) of clean water into hopper.



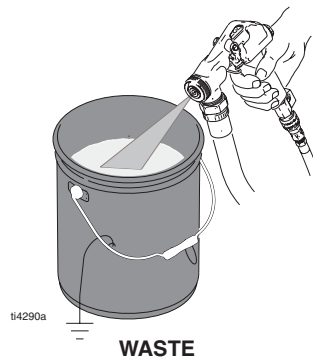
2. Close gun air valve (23).



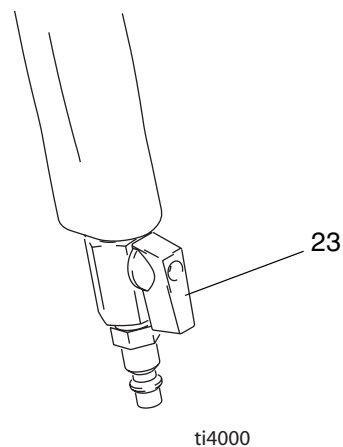
3. Turn air inlet valve (E) open. Aim gun into hopper (G) and trigger gun to circulate water for a few minutes to wet inside of material hose.



4. Trigger gun into waste pail until hopper no longer contains water.

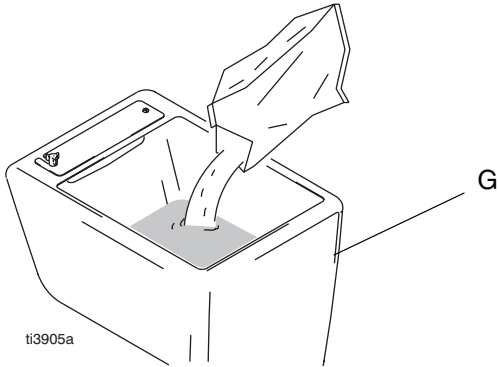


5. Open gun air valve (23) to relieve compressor air.



# Wetting System

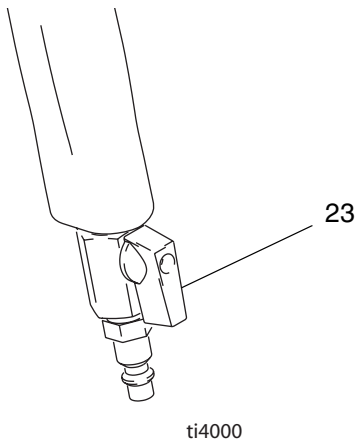
1. Fill hopper (G) with prepared textured material.



**NOTICE**  
Do not mix material in hopper. Mixing material in hopper can damage hopper, result in an inconsistent mix and packout can occur.



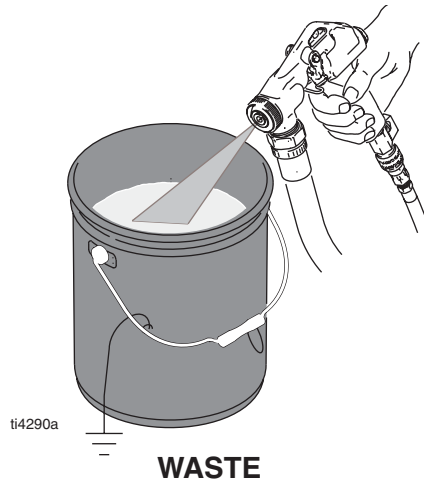
2. Install tip (see Nozzle Selection Chart, page 13).
3. Open gun air valve (23) to relieve air pressure.



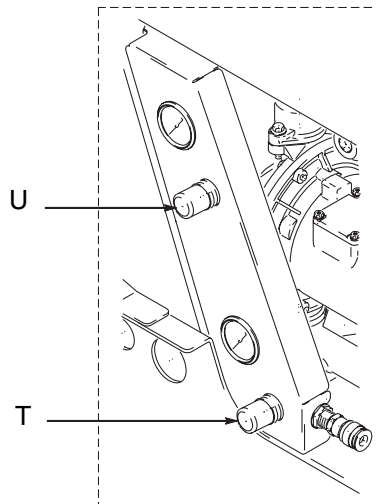
**NOTICE**  
Do not allow material to flow out of gun when air valve (23) is closed or material packout in needle can occur.

**NOTE:** If spraying a simulated acoustic and coarse aggregate material, disconnect hose at gun, prime pump and hose and circulate material back into hopper for 10 seconds. Turn off pump. Install gun and tip.

4. Inspect hose for kinks which could restrict fluid flow.
5. Trigger gun into a pail. When texture material appears at tip, move gun to hopper and circulate until material flows in a solid stream. See System Adjustment (page 14) for proper spray pattern and pump and gun adjustments.




6. Adjust gun air pressure (U) and pump air pressure (T) on sprayer to achieve desired result.



# Mixing Material

**NOTICE**

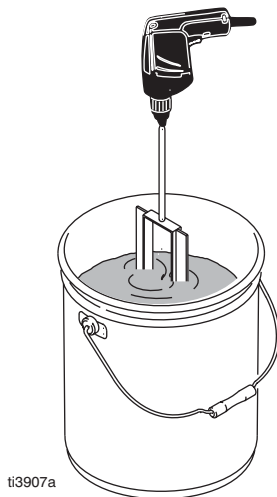
Do not use any solvent-based materials. Use water-based materials only. Proper material mixture is essential. Pump will not operate if material is too thick.

 **NOTE:** For best results, mix material in a separate container and pour it into hopper.


1. Slowly add one bag of texture to clean water as instructed on bag. For best results, do not use partial bags.



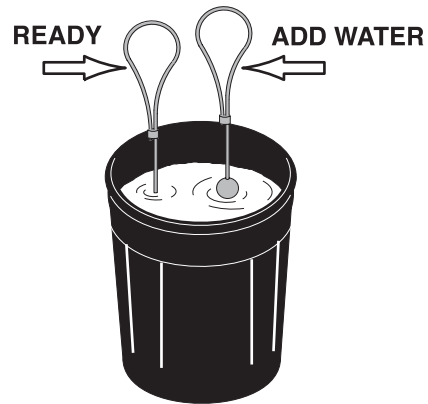
2. Agitate to a smooth, lump-free consistency.




3. After texture is thoroughly mixed, gently set ball end of Material Thickness gauge on surface of mixture.

 **NOTE:** For accurate test, be sure gauge is completely dry and clean before each use.




4. Observe ball on material. When material is thin enough to spray, ball will sink completely into mixture.



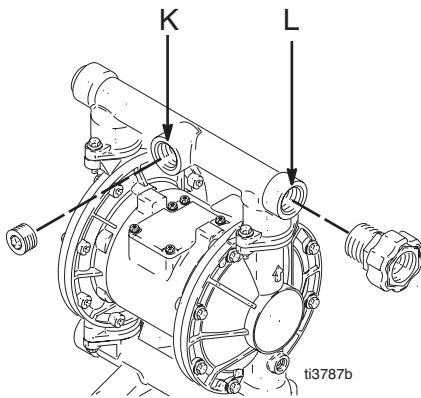
5. If ball does not sink completely into mixture within 10 seconds add more water, agitate again and repeat test.

 **NOTE:** Thicker materials that do not pass Material Thickness Gauge test can still be used. Before spraying thicker materials, test pump performance first. If material is too thick, pump will perform poorly.

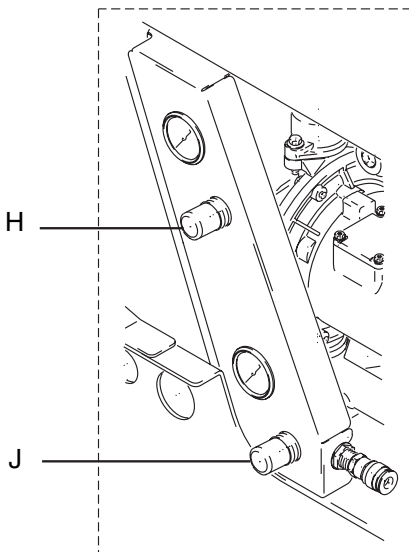
# Operation Characteristics

						
Always start system with compressor air relieved. See <b>Pressure Relief Procedure</b> , page 6.						

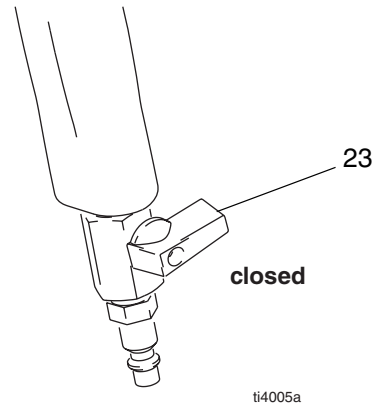
- Always have material outlet plug installed in opening (K or L) not in use when material is in hopper. If plug is removed, hopper will drain out.
- Always have material hose installed in opening (K or L) when material is in hopper. If hose is removed, hopper will drain out through pump.



- Air pressure is controlled with pressure control knob (J) and displayed on gauge.



- Gun air pressure is regulated using air pressure control on sprayer (U) as well as gun air valve located on gun handle (23). Site gauge on sprayer allows duplication of air pressure setting. Gun air valve (23) allows for additional air pressure adjustment.



# Spray Techniques

## Nozzle Selection

### NOTICE

Keep pump and hose clean when switching between simulated acoustic, knockdown, and orange peel applications. A dirty pump can release particles of texture into the finish.

Application	Nozzle Orifice†	Nozzle Number	Air Volume‡
Fog	1/8 in.	3	High
Simulated Acoustic	3/16 in. (fine)	4	Medium to High
	1/4 in. (fine to medium)	6	
	5/16 in. (coarse)	8	
Orange Peel	1/8 to 3/16 in.	3 - 4	Medium to High
Splatter Coat	1/4 to 5/16 in.	6 - 8	Low to Medium
Knock-Down	5-16 in.	8	Low

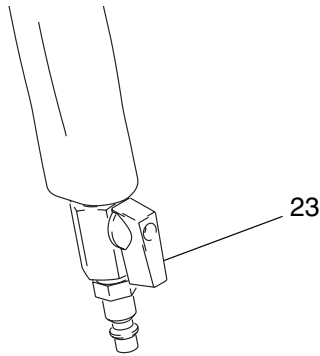
† Control air volume with gun air flow valve (31).

‡ For more material volume, use tip with larger orifice.

# System Adjustment

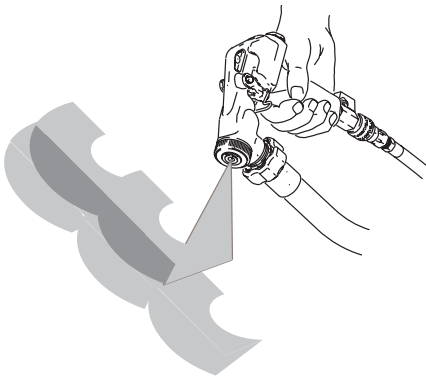


1. Open gun air valve (23).



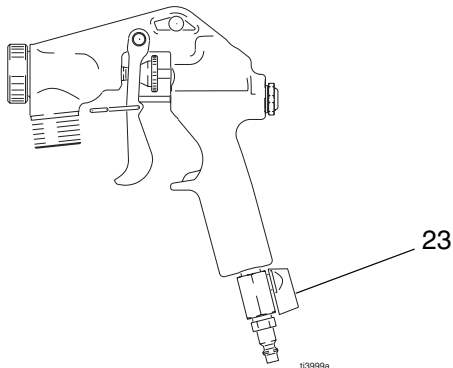
ti4000

2. Test spray pattern on cardboard. Hold gun 18 to 30 in. (45 to 75 cm) from surface. Use this spray distance for most applications. Overlap each stroke 50% in a circular motion.



ti4004a

3. Adjust gun air valve (23) to achieve uniform, round spray pattern. It may be necessary to change spray nozzle to achieve desired spray pattern.



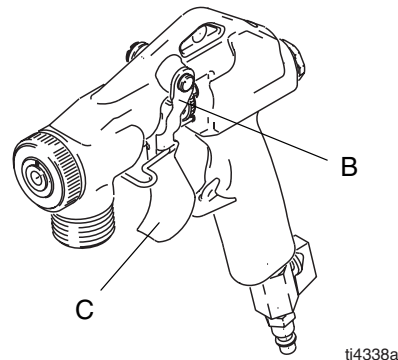
ti3999a

**NOTE:** Keep a small amount of air flowing through air line and gun tip to prevent material from backing up needle.

4. To select correct nozzle for your applications, consider size of aggregate in material and coarseness of spray pattern. Remember the larger the nozzle, the larger the spray pattern. See Nozzle Selection, page 13.

**NOTE:** More air produces a finer finish; less air produces a coarse finish.

5. When adjusting flow adjustment nut (b), release trigger (C), then adjust.



ti4338a

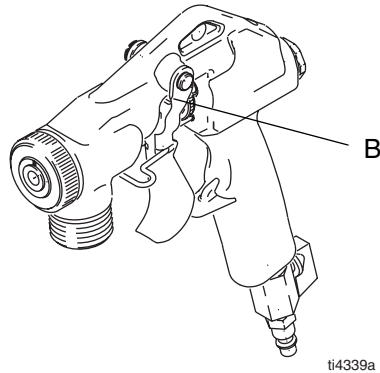
If adjusting while triggered, needle will turn but provide no adjustment.

If flow adjustment nut will not turn, check to see if it is:

- Set to maximum adjustment, or
- If there is material on threads. Clean threads as needed.

6. Check material consistency often. Material may thicken as it sits and slow down production or affect spray pattern. Thin with mater as needed to maintain proper consistency.

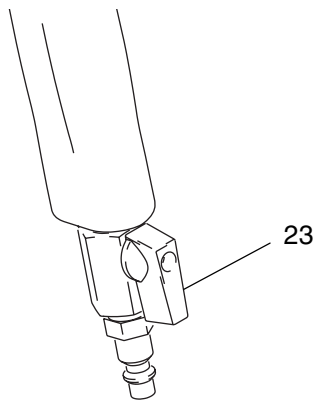
## Material Flow Adjustment



ti4339a

- For a lighter spray pattern, decrease material pressure at sprayer.
- For a heavier spray pattern, increase material pressure at sprayer.

## Air Flow Adjustment



ti4000

- Trigger gun.
- To decrease air flow, close air valve (23) clockwise.
- To increase air flow, open air valve (23) counter-clockwise.



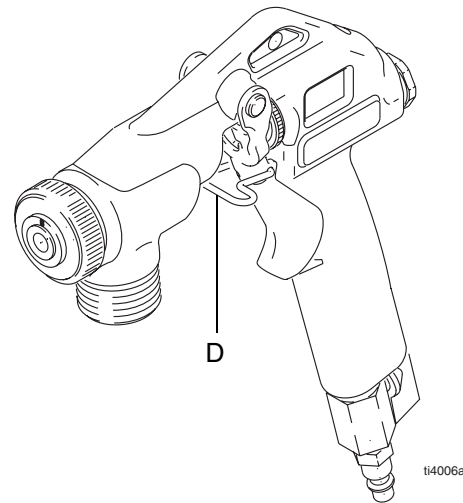
**NOTE:** Keep a small amount of air flowing through air line and gun tip to prevent material from backing up needle.

## Preventing Material Surge at Gun Trigger

Pressure will build up in system when not triggering gun. To prevent material surge at beginning of spray pattern:

- Point gun away from surface to be sprayed when trigger is first pulled.
- Hold gun away from surface and gradually bring gun to surface.
- Trigger gun as little as possible.

## For Continuous Spraying



ti4006a

- Engage trigger lock (D) to hold trigger open and reduce fatigue.

# Shutdown and Cleanup

## NOTICE

- Turn off sprayer if you are going to stop spraying for 5 minutes or longer.
- Before removing material hose, Relieve Pressure and make sure there is no material inside of hose.
- To keep sprayer in good operating condition, always clean it thoroughly and prepare it properly for storage.
- If water freezes in sprayer, damage may occur. During cold weather, store sprayer where it will not freeze.



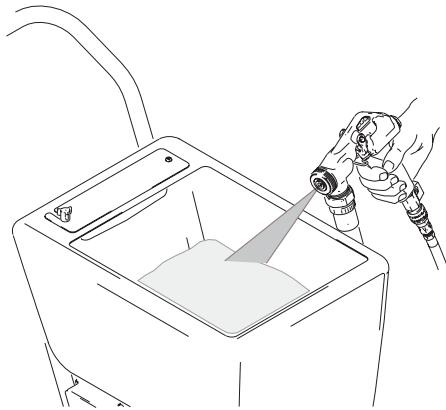
Spray water into waste bucket to empty material hopper.



**NOTE:** A soft brush can be used to loosen dried-on material.

## After Spraying

1. **Relieve Pressure**, page 6.
2. Fill material hopper with 2 - 4 gallons of clean water.
3. Spray inside material hopper to circulate water through gun and hose. While circulating water, use gun to clean material hopper.
4. Follow **Pressure Relief**, page 6.





# Maintenance

Component	Task	Frequency
Hoses	Check for wear and/or damage	Daily
	Drain system of all water	After each use
Air and Material Hose Connections	Add a few drops of light oil	After each use
Diaphragm Pump	Lubricate	Remove hose from pump air line and add 2 drops of machine oil to air inlet after every 500 hours of operation (or monthly)
	Flush	Before storing
	Thread connections	Before each use, check to make sure all connections are tight and leak-free Torque all threaded connections every two months
Gun	Clean	After each use
	Add a few drops of light oil to flow adjustment	After each use

## Technical Data

Maximum working air pressure	120 psi (8.27 bar)
Maximum working fluid pressure	120 psi (8.27 bar)
Compressor (not supplied by Graco)	Oil-less compressor
Air Delivery	12 CFM @ 100 psi minimum (340 lpm @ 6.9 bar)
Hopper capacity	17 US gallons (64 liters)
Maximum delivery with texture material	4.0 gpm (15.14 lpm)
Dimensions	
Length	38 in. (965 mm) with handles
Width	24 in. (610 mm)
Height	40 in. (1016 mm)
Sound	Reference Pump Manual 308479
Weight	
With hoses and gun	110 lb (49.9 kg)
Wetted Parts	PVC, zinc plate CS, Buna-N, aluminum, brass, polyethylene, SST, UHMW, Delrin

# Graco Standard Warranty

Graco warrants all equipment referenced in this document which is manufactured by Graco and bearing its name to be free from defects in material and workmanship on the date of sale to the original purchaser for use. With the exception of any special, extended, or limited warranty published by Graco, Graco will, for a period of twelve months from the date of sale, repair or replace any part of the equipment determined by Graco to be defective. This warranty applies only when the equipment is installed, operated and maintained in accordance with Graco's written recommendations.

This warranty does not cover, and Graco shall not be liable for general wear and tear, or any malfunction, damage or wear caused by faulty installation, misapplication, abrasion, corrosion, inadequate or improper maintenance, negligence, accident, tampering, or substitution of non-Graco component parts. Nor shall Graco be liable for malfunction, damage or wear caused by the incompatibility of Graco equipment with structures, accessories, equipment or materials not supplied by Graco, or the improper design, manufacture, installation, operation or maintenance of structures, accessories, equipment or materials not supplied by Graco.

This warranty is conditioned upon the prepaid return of the equipment claimed to be defective to an authorized Graco distributor for verification of the claimed defect. If the claimed defect is verified, Graco will repair or replace free of charge any defective parts. The equipment will be returned to the original purchaser transportation prepaid. If inspection of the equipment does not disclose any defect in material or workmanship, repairs will be made at a reasonable charge, which charges may include the costs of parts, labor, and transportation.

**THIS WARRANTY IS EXCLUSIVE, AND IS IN LIEU OF ANY OTHER WARRANTIES, EXPRESS OR IMPLIED, INCLUDING BUT NOT LIMITED TO WARRANTY OF MERCHANTABILITY OR WARRANTY OF FITNESS FOR A PARTICULAR PURPOSE.**

Graco's sole obligation and buyer's sole remedy for any breach of warranty shall be as set forth above. The buyer agrees that no other remedy (including, but not limited to, incidental or consequential damages for lost profits, lost sales, injury to person or property, or any other incidental or consequential loss) shall be available. Any action for breach of warranty must be brought within two (2) years of the date of sale.

**GRACO MAKES NO WARRANTY, AND DISCLAIMS ALL IMPLIED WARRANTIES OF MERCHANTABILITY AND FITNESS FOR A PARTICULAR PURPOSE, IN CONNECTION WITH ACCESSORIES, EQUIPMENT, MATERIALS OR COMPONENTS SOLD BUT NOT MANUFACTURED BY GRACO.** These items sold, but not manufactured by Graco (such as electric motors, switches, hose, etc.), are subject to the warranty, if any, of their manufacturer. Graco will provide purchaser with reasonable assistance in making any claim for breach of these warranties.

In no event will Graco be liable for indirect, incidental, special or consequential damages resulting from Graco supplying equipment hereunder, or the furnishing, performance, or use of any products or other goods sold hereto, whether due to a breach of contract, breach of warranty, the negligence of Graco, or otherwise.

## **FOR GRACO CANADA CUSTOMERS**

The Parties acknowledge that they have required that the present document, as well as all documents, notices and legal proceedings entered into, given or instituted pursuant hereto or relating directly or indirectly hereto, be drawn up in English. Les parties reconnaissent avoir convenu que la rédaction du présente document sera en Anglais, ainsi que tous documents, avis et procédures judiciaires exécutés, donnés ou intentés, à la suite de ou en rapport, directement ou indirectement, avec les procédures concernées.

# Graco Information

**TO PLACE AN ORDER**, contact your Graco distributor or call 1-800-690-2894 to identify the nearest distributor.

*All written and visual data contained in this document reflects the latest product information available at the time of publication.  
Graco reserves the right to make changes at any time without notice.*

*This manual contains English. MM 313384*

**Graco Headquarters:** Minneapolis  
**International Offices:** Belgium, China, Japan, Korea

**GRACO INC. P.O. BOX 1441 MINNEAPOLIS, MN 55440-1441**

Copyright 2008, Graco Inc. is registered to I.S. EN ISO 9001

[www.graco.com](http://www.graco.com)

10/2008