

ClearShot™ Liquid Refill Kit

3A6242A

EN

For refilling ClearShot cartridges used with the Fusion® CS spray gun only. For professional use only.

17X756

16 oz. (4-pack)

17X757

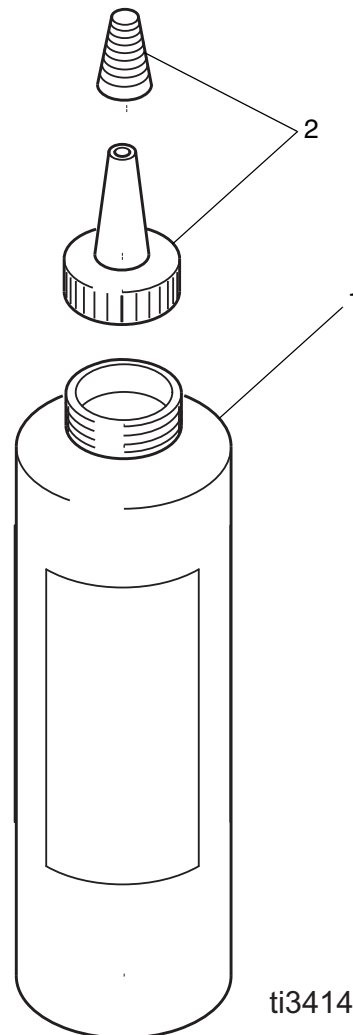
16 oz. (12-pack)



Important Safety Instructions


Read all warnings and instructions in this manual and in your Fusion CS manual before using the equipment. Save all instructions.

Ref.	Description	Qty.
1	BOTTLE, 16 oz., ClearShot liquid	1
2	NOZZLE, bottle	1
3	CAP, sealing (not shown)	1




ti34143a


Installation



WARNING



READ THE SDS
Read the ClearShot liquid SDS (MSD060) to identify specific hazards and precautions related to ClearShot liquid.



PERSONAL PROTECTIVE EQUIPMENT
Wear appropriate protective equipment when in the work area to help prevent serious injury, including skin irritation, eye injury, and inhalation of toxic fumes.

Tools:

- Small screwdriver
 - T-handle allen wrench or tool less than 1/4 in. (6.4 mm) in diameter and at least 4 in. (10.2 cm) long
1. Remove the empty ClearShot cartridge from the Fusion CS spray gun.
 2. In the open end of the cartridge, push the two tabs into the cartridge using a small screwdriver.

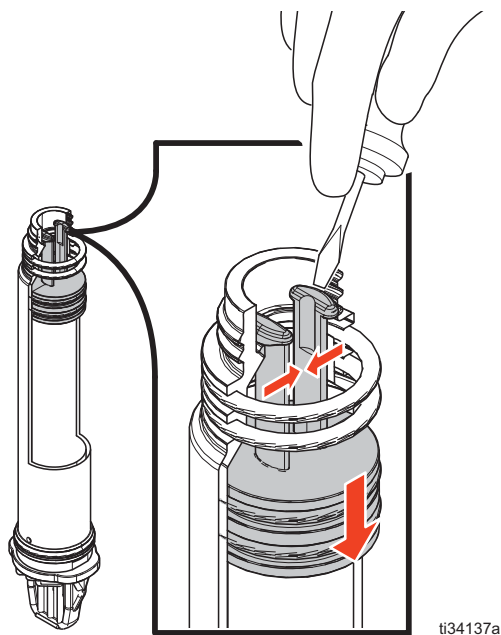
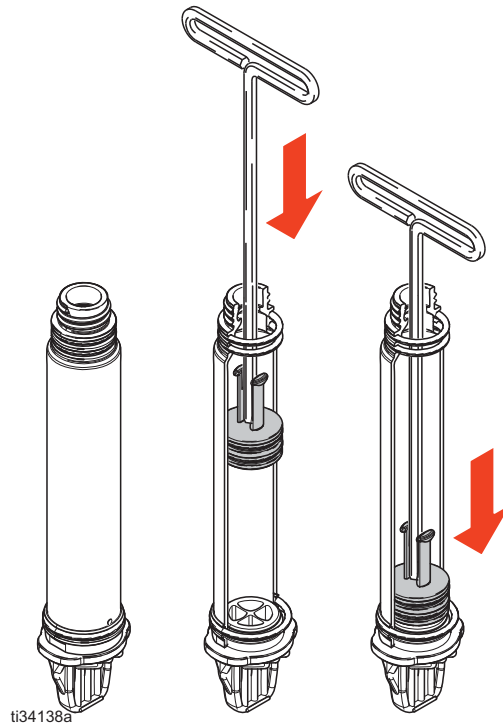


FIG. 1

ti34137a

3. Push the piston to the bottom of the cartridge.

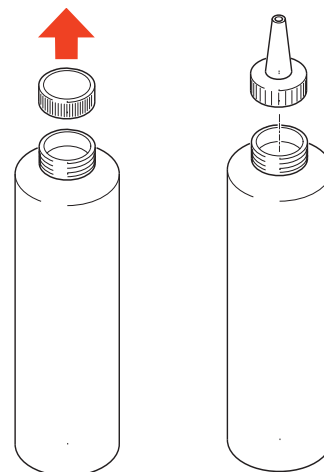


ti34138a

FIG. 2

NOTE: To ensure a full refill of the ClearShot cartridge, push the piston to the very end of the cartridge.

4. Unscrew the nozzle from the ClearShot refill bottle.
5. During first use of the ClearShot refill bottle, remove the sealing cap (3) from the refill bottle.



ti34139a

FIG. 3

6. Remove the red cap from the refill bottle nozzle. Set aside the cap.
7. Cut off the tip of the nozzle along the indicator line.

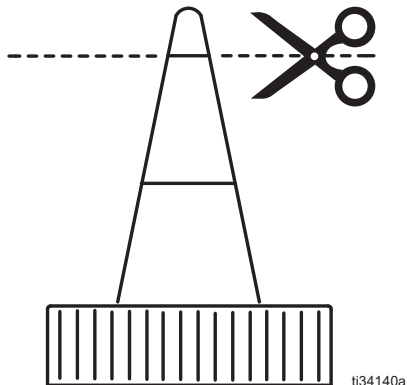


FIG. 4

8. Screw the nozzle onto the refill bottle.
9. Insert the nozzle into the ClearShot cartridge. Fill the cartridge to the top.

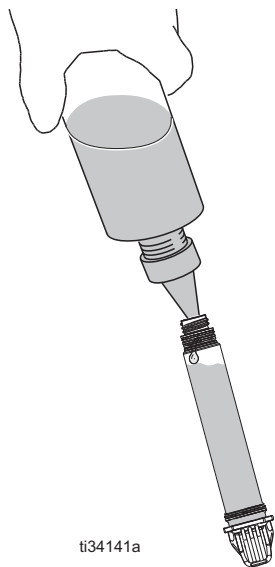


FIG. 5

10. Install the ClearShot liquid cartridge into the Fusion CS applicator. Alternately, install a ClearShot cartridge cap onto the full cartridge to store the cartridge for later use.

NOTE: Order Kit 25E210 for replacement ClearShot cartridge caps (25-pack).

11. Close the ClearShot refill bottle for storage. Press the red cap firmly onto the nozzle until the cap snaps into place.

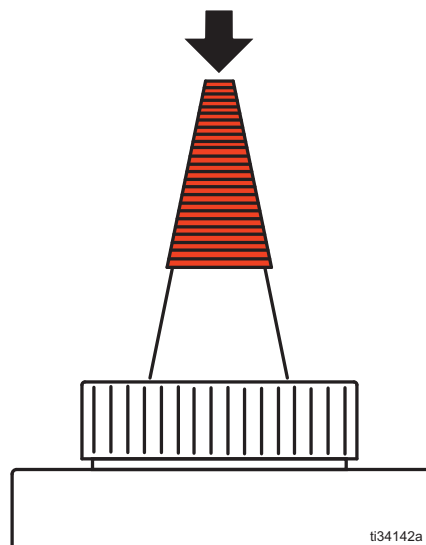


FIG. 6

Graco Information

For the latest information about Graco products, visit www.graco.com.

For patent information, see www.graco.com/patents.

TO PLACE AN ORDER, contact your Graco distributor or call to identify the nearest distributor.

Phone: 612-623-6921 or Toll Free: 1-800-328-0211 Fax: 612-378-3505

*All written and visual data contained in this document reflects the latest product information available at the time of publication.
Graco reserves the right to make changes at any time without notice.*

Original instructions. This manual contains English. MM 3A6242

Graco Headquarters: Minneapolis

International Offices: Belgium, China, Japan, Korea

GRACO INC. AND SUBSIDIARIES • P.O. BOX 1441 • MINNEAPOLIS MN 55440-1441 • USA
Copyright 2018, Graco Inc. All Graco manufacturing locations are registered to ISO 9001.

www.graco.com
Revision A, July 2018